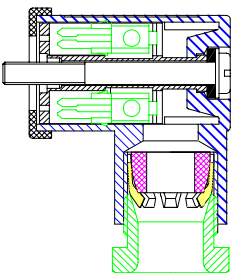
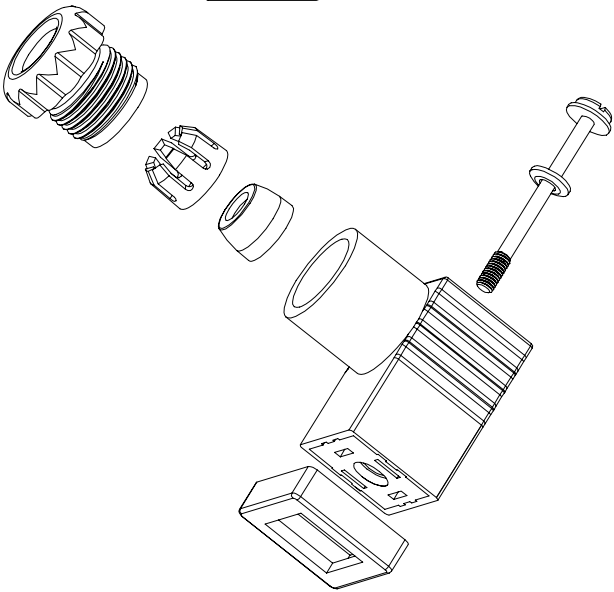
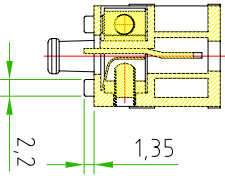
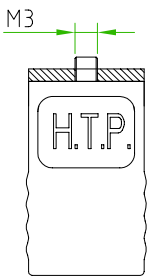
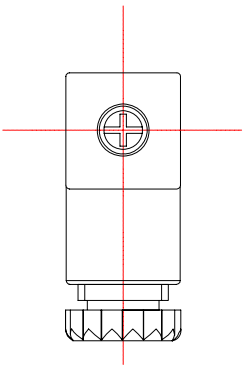
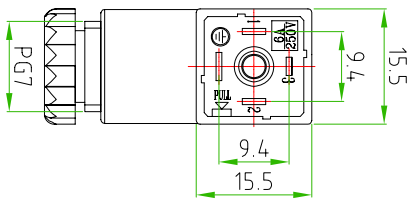
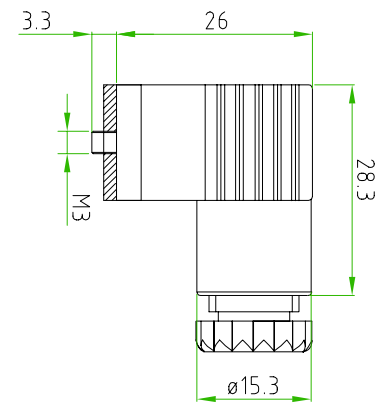


- — C 1
- — C 2
- — C 3
- — ⊥



CONNECTOR FEATURES	
PRODUCT TYPE	DIN43650/C CONNECTOR TO CABLE
HOUSING COLOUR	TRANSPARENT
HIGH HOUSING	26mm
TYPE CONTACTS	SCREW WITH CONDUCTOR PROTECTION
CONTACT SPACING	9.4mm
NUMBER OF POLES	3POLES+EARTH
CABLE EXIT	PG7
MAXIMUM CONDUCTOR SIZE	0.75mm
FIXING SCREW	M3X28,5
PROFILED GASKET	NBR
PROTECTION CLASS	IP65
CIRCUIT TYPE	WITHOUT ELECTRONIC

TOLLERANZE	DISGNATORE	DATA	SCALA	PE30
UDM	LORENZO CHINNO CONTROLLATO	08.09.09	1:1	

DESCRIZIONE
CONNECTOR DIN43650/C TO CABLE CONTACT SPACING 9.4mm
WITHOUT ELECTRONIC,3POLES+EARTH,HOUSING TRANSPARENT
EXIT CABLE PG7.

HTP High Tech Products H.T.P. HIGH TECH PRODUCTS

TYPE CODE P2 P2TZ3000

MATERIALE