

Rev.	01	Modify	-	Date	2019.10.10	Signed	SUGLIANI CIMMINO	Approved	
Rev.		Modify		Date		Signed		Approved	
Rev.		Modify		Date		Signed		Approved	

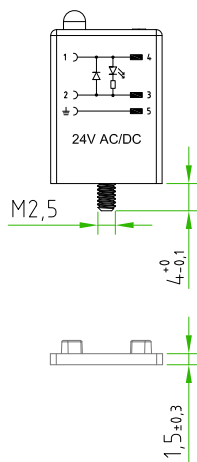
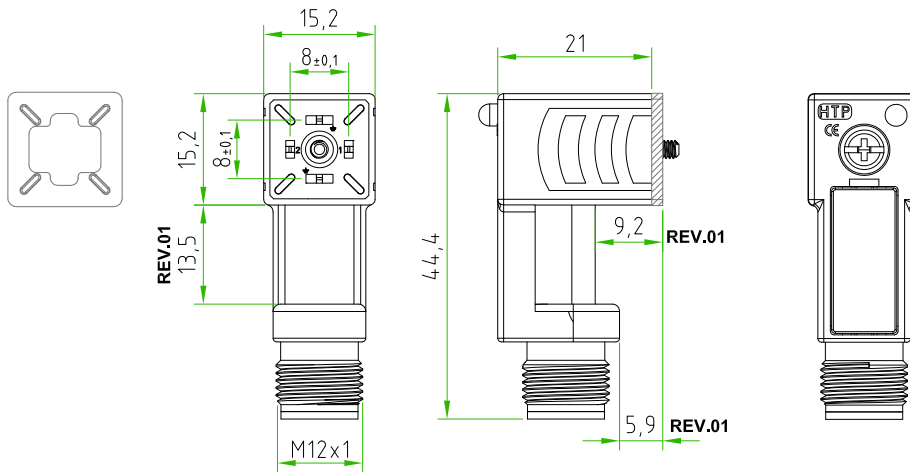
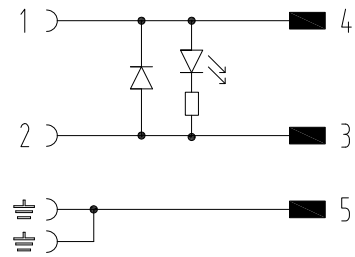
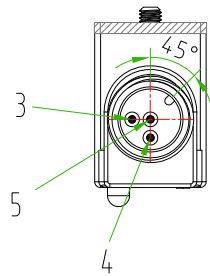
Rev.		Modify		Date		Signed		Approved	
Rev.		Modify		Date		Signed		Approved	
Rev.		Modify		Date		Signed		Approved	

Rev.	01	Modify	-	Date	2019.10.10	Signed	SUGLIANI CIMMINO	Approved	
Rev.		Modify		Date		Signed		Approved	
Rev.		Modify		Date		Signed		Approved	

CUSTOMER APPROVAL

SIGNATURE	DATE

PLEASE SIGN AND RETURN



ADAPTER CONNECTOR FEATURES	
PRODUCT TYPE	ADAPTER SQUARE MICRO CONNECTOR EN175301-803 (TYPE C) + M12 CIRCULAR CONNECTOR
CONNECTOR TYPE	SQUARE MICRO CONNECTOR EN175301-803(TYPE C)
CONNECTOR COLOUR	BLACK
CONTACTS SPACING	8mm
NUMBER OF CONTACTS	2POLES+2EARTHS
EARTH POSITIONING	H.6-12
CENTRAL FIXING SCREW	M2,5X0,5 L=22,5mm
GASKET TYPE	INTEGRATED (NBR)
PROTECTION CLASS	IP67
CIRCUIT TYPE	WITH GREEN LED+DIODE(1A)
RATED VOLTAGE	24V DC
M12 CONNECTOR TYPE	STRAIGHT 180°
M12 CONTACTS TYPE	MALE 3POLES
M12 CONTACTS CONNECTED	N°3
CONNECTOR WITH H.T.P.LOGO	

Designer	CIMMINO L.	Date	2016-12-23	Tolerance	±0.1	Units:	mm	Series	ADAPTER	Drawing n. 1-1
Approved	MAZZOLA M.	Date	2016-12-23	Scale	1:1	Size:	A4	Customer code:		

DESCRIPTION
 ADAPTER SQUARE MICRO CONNECTOR EN175301-803 (type-C),2P.+P.E.,8mm, BLACK,WITH GREEN LED+DIODE(1N4007),24V,+M12 CONNECTOR MALE 3POLES. CONNECTOR WITH H.T.P.LOGO

H.T.P.PART NUMBER

P1N02DV1C-12MD

