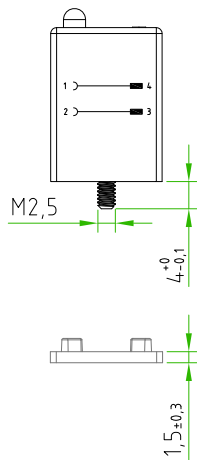
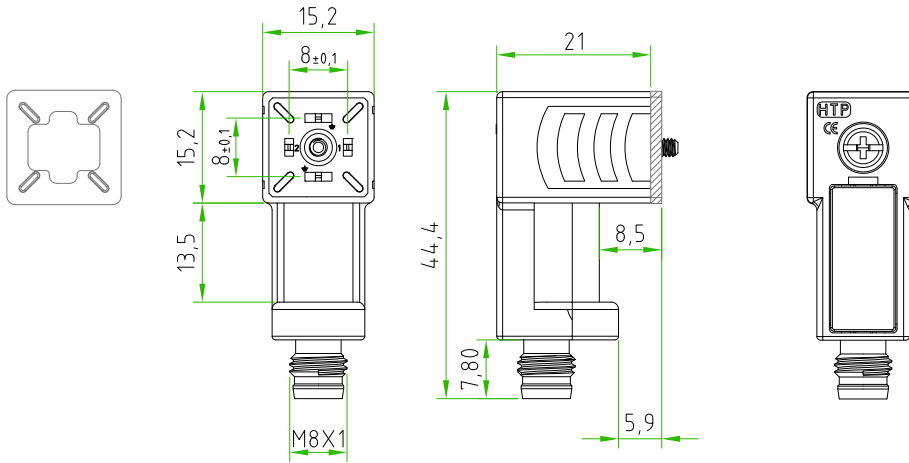
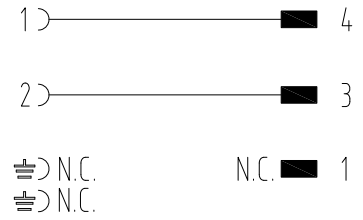
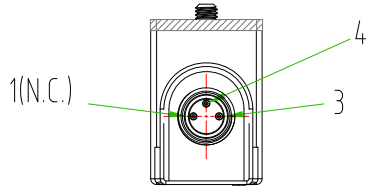


Rev.	Modify	Date	Signed	Approved
Rev.	Modify	Date	Signed	Approved
Rev.	Modify	Date	Signed	Approved
Rev.	Modify	Date	Signed	Approved
Rev.	Modify	Date	Signed	Approved



PRODUCT TYPE	ADAPTER SQUARE MICRO CONNECTOR EN175301-803 (TYPE C) + M8 CIRCULAR CONNECTOR
CONNECTOR TYPE	SQUARE MICRO CONNECTOR EN175301-803(TYPE C)
CONNECTOR COLOUR	BLACK
CONTACTS SPACING	8mm
NUMBER OF CONTACTS	2POLES+2EARTHS
EARTH POSITIONING	H.6-12
CENTRAL FIXING SCREW	M2,5X0,5 L=22,5mm
GASKET TYPE	INTEGRATED (NBR)
PROTECTION CLASS	IP67
CIRCUIT TYPE	WITHOUT ELECTRONIC
RATED VOLTAGE	50V AC/ 60V DC
M8 CONNECTOR TYPE	STRAIGHT 180°
M8 CONTACTS TYPE	MALE 3POLES
M8 CONTACTS CONNECTED	N°2
CONNECTOR WITH H.T.P.LOGO	

CUSTOMER APPROVAL

SIGNATURE DATE

PLEASE SIGN AND RETURN

Designer	CIMMINO L.	Date	2021-07-09	Tolerance	±0.1	Units:	mm	Series	ADAPTER	Drawing n. 1-1
Approved	SUGLIANI R.	Date	2021-07-09	Scale	1:1	Size:	A4	Customer code:		

DESCRIPTION

ADAPTER SQUARE MICRO CONNECTOR EN175301-803 (type-C),2P.+P.E.,8mm, BLACK,WITHOUT ELECTRONIC,50V AC/ 60V DC,+ M8 CONNECTOR MALE 3POLES. CONNECTOR WITH H.T.P.LOGO

H.T.P.PART NUMBER

P1N02000C-08MD3

