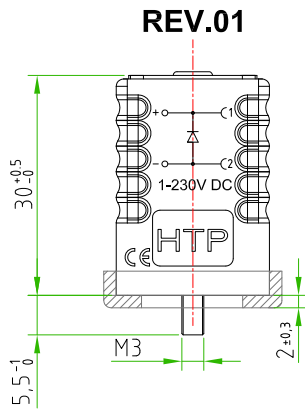
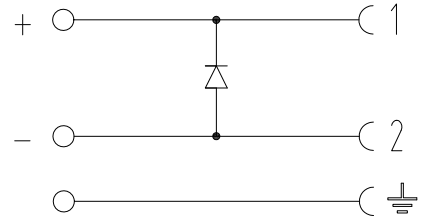
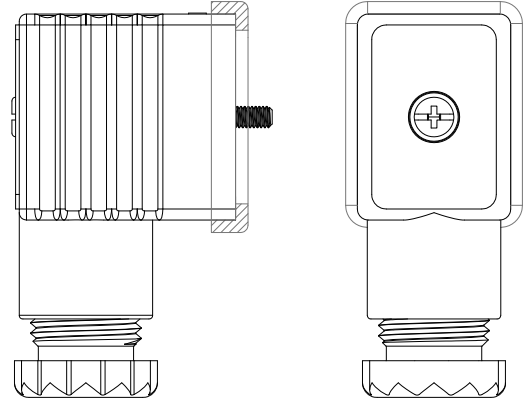
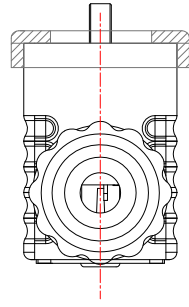
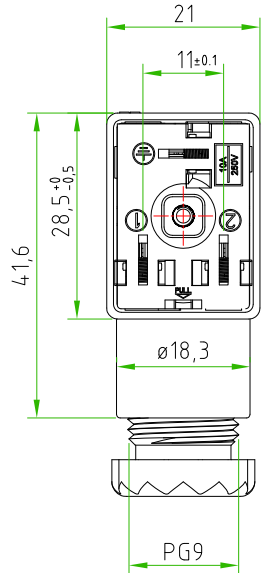
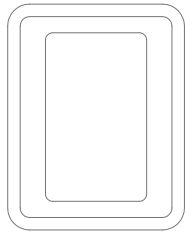


Rev.	01	Modify	-	Date	2020.07.20	Signed	SUGLIANI CIMMINO	Approved	
Rev.		Modify		Date		Signed		Approved	
Rev.		Modify		Date		Signed		Approved	



REV.01

PRODUCT TYPE	INDUSTRIAL STANDARD FORM B FIELD ATTACHABLE.
HOUSING MATERIAL/COLOUR	PA66 /BLACK
PRESS-CABLE MATERIAL/COLOUR	PA66 /BLACK
INTRENAL CORE MATERIAL/COLOUR	PA66 /BLACK
HEIGHT HOUSING	30mm
CONTACTS SPACING	11mm
CONTACTS TYPE	SCREW CONTACTS(with protection plate)
NUMBER OF POLES	2POLES+EARTH
EARTH POSITIONING	H.12 (TURNABLE)
CABLE EXIT	PG9 UNIFIED
SUITABLE CABLE	FROM ø6mm TO ø8mm
MAX.CONDUCTOR SIZE	1,5mm ²
PROTECTION CLASS	IP67
CIRCUIT TYPE	DIODE(1A)
RATED VOLTAGE	REV.01 1-230 V DC
CONNECTOR TEMPERATURE RANGE	from -40°C to +90°C
GASKET TYPE	PROFILED NBR
FIXING SCREW	M3X0,5 L=32,5mm
CONNECTOR WITH H.T.P. LOGO	

Designer	SUGLIANI R.	Date	2019-06-05	Tolerance	±0,2	Units:	mm	Series	INDUSTRIAL STANDARD (form B)	Drawing n.	1/1
Approved	CIMMINO L.	Date	2019-06-05	Scale	1:1	Size:	A4	Customer code:			

DESCRIPTION

RECTANGULAR CONNECTOR INDUSTRIAL STANDARD FORM B, FIELD ATTACHABLE, 2P.+PE, WITH DIODE (1A), 1-230V DC, BLACK HOUSING, PG9 unified. CONNECTOR WITH H.T.P. LOGO.

H.T.P.PART NUMBER

M1NS2D03

