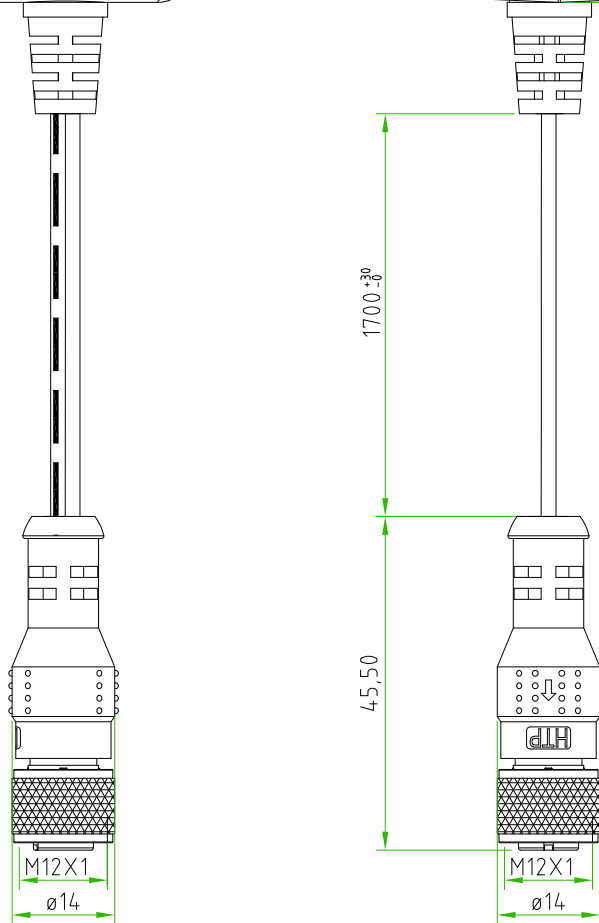
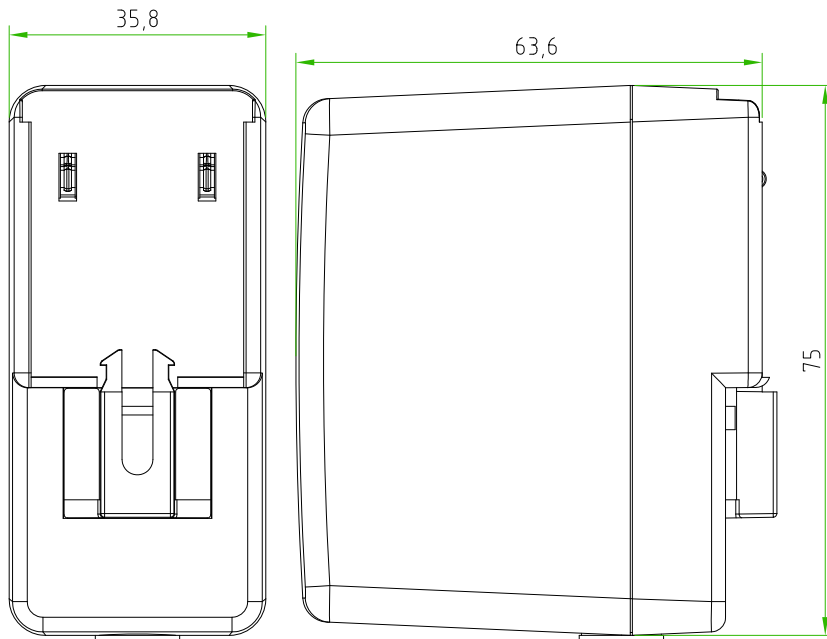
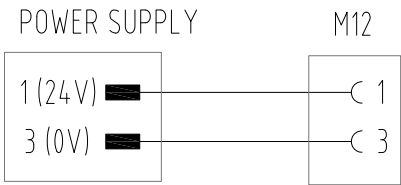
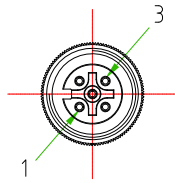


Rev.	Modify	Date	Signed	Approved
Rev.	Modify	Date	Signed	Approved
Rev.	Modify	Date	Signed	Approved
Rev.	Modify	Date	Signed	Approved
Rev.	Modify	Date	Signed	Approved



PRODUCT TYPE		POWER SUPPLY WITH M12 CIRCULAR CONNECTOR MOULDED CABLE
POWER SUPPLY FEAT.	INPUT VOLTAGE	100-240V AC
	INPUT CURRENT	0,58A
	OUTPUT VOLTAGE	24V DC
	OUTPUT CURRENT	1A
POWER SUPPLY UL CERTIFIED		
CONNECTOR FEATURES	M12 CONNECTOR FEATURES	
	CONNECTOR TYPE	STRAIGHT 180°
	CONTACTS TYPE	FEMALE 5POLES
	NUMBER OF CONTACTS CONNECTED	N°5
	PROTECTION CLASS	IP69K
RATED VOLTAGE	250V AC/DC	
RATED CURRENT	4A	
CONNECTOR WITH H.T.P.LOGO		
CABLE FEATURES	NUMBER OF CONDUCTORS	N°2
	CONDUCTORS SECTION	AWG 22
	COATING COLOUR	BLACK
	CABLE LENGHT	1700mm
ON THE CABLE, NEAR THE CONNECTOR HEAD, MUST BE SILK PRINTED THE H.T.P. PRODUCTION DATE CODE 5#####		

A4

Designer	SUGLIANI R.	Date	2016-10-14	Tolerance	±0.3	Units:	mm	Series	POWER SUPPLY	Drawing n. 1-1
Approved	CIMMINO L.	Date	2016-10-14	Scale	1:1	Size:	A4	Customer code:		

	DESCRIPTION	H.T.P.PART NUMBER
	POWER SUPPLY (100-240V/24V) WITH CIRCULAR CONNECTOR M12, FEMALE, STRAIGHT 180°, 2POLES, WITH CABLE 2xAWG22, BLACK COLOUR, L=1,7m, CONNECTOR WITH H.T.P.LOGO	LED-PS-UL-12FD

Rev.	Modify	Date	Signed	Approved

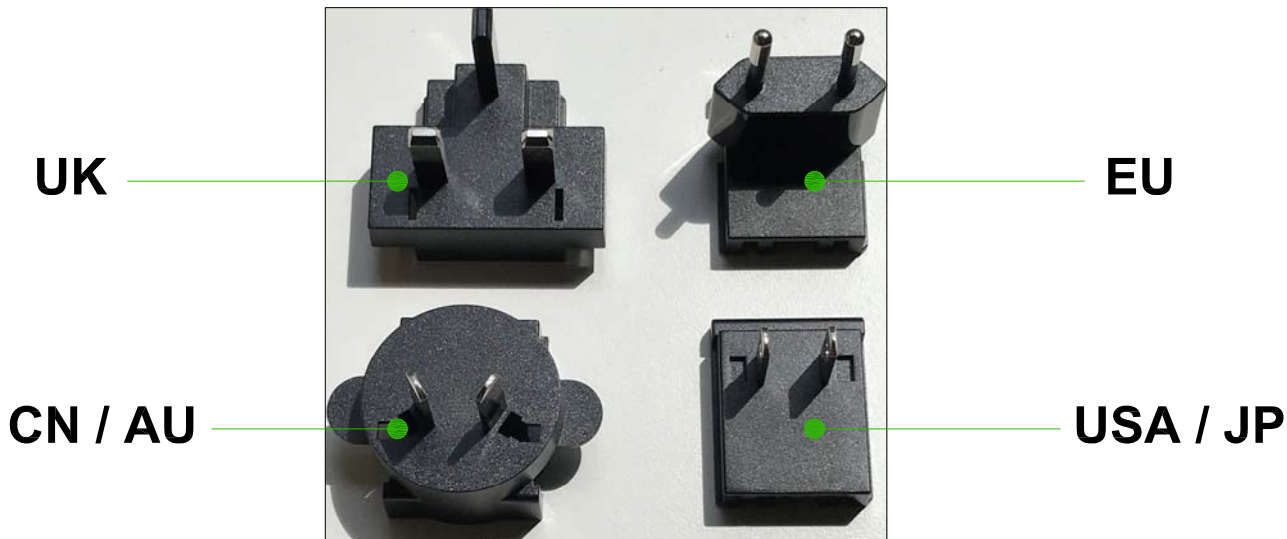
Rev.	Modify	Date	Signed	Approved

Rev.	Modify	Date	Signed	Approved



PAY ATTENTION

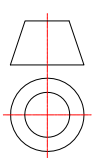
INTERCHANGABLE MALE PLUGS TYPE
USA / JAPAN
EUROPE
UK
CHINA / AUSTRALIA



PAY ATTENTION:
 INTO THE WHITE BOX MUST BE PRESENT THE INTERCHANGABLE MALE CONTACTS PARTS



A4



Designer	SUGLIANI R.	Date	2016-10-14	Tolerance	±0.3	Units:	mm	Series	POWER SUPPLY	Drawing n. 1-1
Approved	CIMMINO L.	Date	2016-10-14	Scale	1:1	Size:	A4	Customer code:		

		DESCRIPTION	H.T.P.PART NUMBER
		POWER SUPPLY (100-240V/24V) WITH CIRCULAR CONNECTOR M12, FEMALE, STRAIGHT 180°, 2POLES, WITH CABLE 2xAWG22, BLACK COLOUR, L=1,7m, CONNECTOR WITH H.T.P.LOGO	LED-PS-UL-12FD