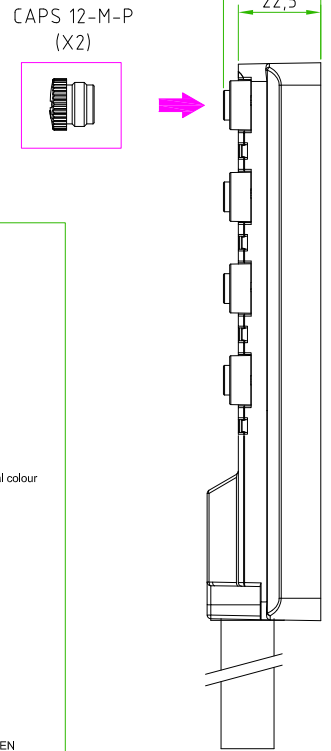
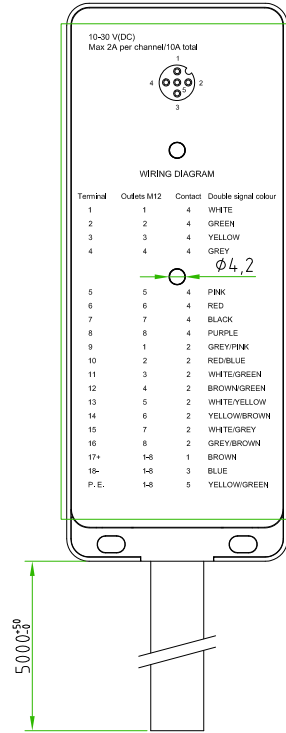
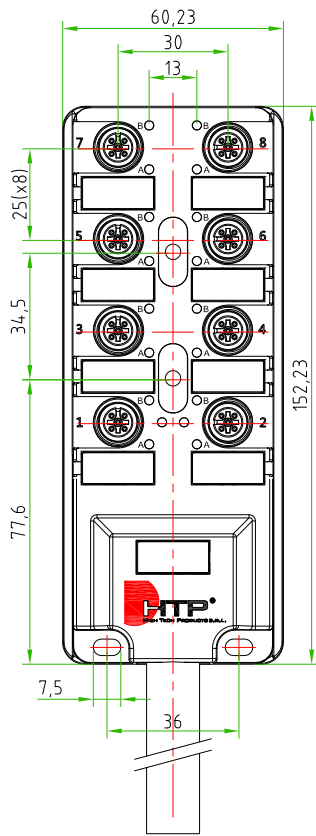


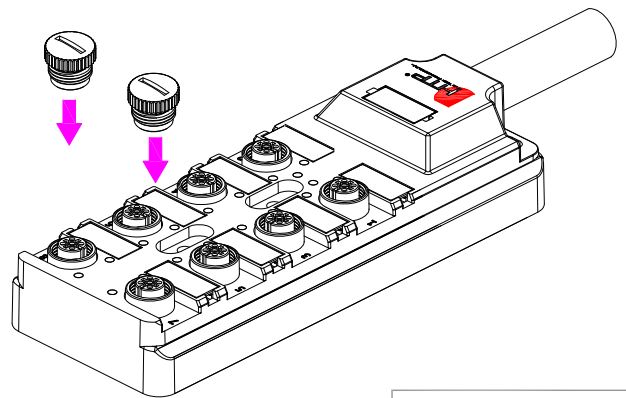
Rev.					
Modify					
Date					
Signed					
Approved					

Rev.					
Modify					
Date					
Signed					
Approved					

Rev.					
Modify					
Date					
Signed					
Approved					



CONNECTOR FEATURES	
PRODUCT TYPE	M12 DISTRIBUTION BOX, DOUBLE SIGNAL, WITH MOULDED CABLE
DISTRIBUTION BOX TYPE	N°8 POSITIONS
M12 CONTACTS TYPE	FEMALE 5POLES
NUMBER OF CONTACTS CONNECTED (PER EACH M12 CONNECTOR)	N°5
HOUSING MATERIAL / COLOUR	PA66/BLACK
TERMINAL BLOCK MATERIAL COLOUR	PA66/BLACK
PROTECTION CLASS	IP67
RATED VOLTAGE	10-30V DC
RATED CURRENT	2A PER SIGNAL /10A IN TOTAL
CIRCUIT TYPE	PNP
NUMBER OF SIGNALS PER M12	N°2 (PIN N°4 AND N°2)
NUMBER OF LEDS / COLOUR	N°16 RED LEDS(SIGNALS) N°2 GREEN LEDS(POWER SUPPLY)
DISTRIBUTION BOX WITH H.T.P. LOGO	
H.T.P. CABLE CODE	CAVO P-3+16-K6-IS
NUMBER OF CONDUCTORS	N°3*N°16
CONDUCTORS SECTION	0,75mm ² (AWG18)+0,34mm ² (AWG22)
CABLE MATERIAL	PUR ULstyle 20549
COATING COLOUR	BLACK
CONDUCTORS INSULATION MATERIAL	TPO
CABLE LENGTH	5000mm
STRIPPING	-
PEELING AND TINNING	-
	HIGH FLEX (CLASS 6)
ON THE CABLE, NEAR THE CONNECTOR HEAD, MUST BE SILK PRINTED THE H.T.P. PRODUCTION DATE CODE 5#####	
	PAY ATTENTION: THE CAPS WILL BE PROVIDED BY NDT (H.T.P. P/N: CAPS 12-M-P)



CUSTOMER APPROVAL

SIGNATURE	DATE

PLEASE SIGN AND RETURN

Designer	SUGLIANI R.	Date	2019-10-21	Tolerance	±0.3	Units:	mm	Series	M12	Drawing n.	1-2
Approved	CIMMINO L.	Date	2019-10-21	Scale	1:2	Size:	A4	Customer code:	DISTRIBUTION BOX		

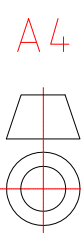
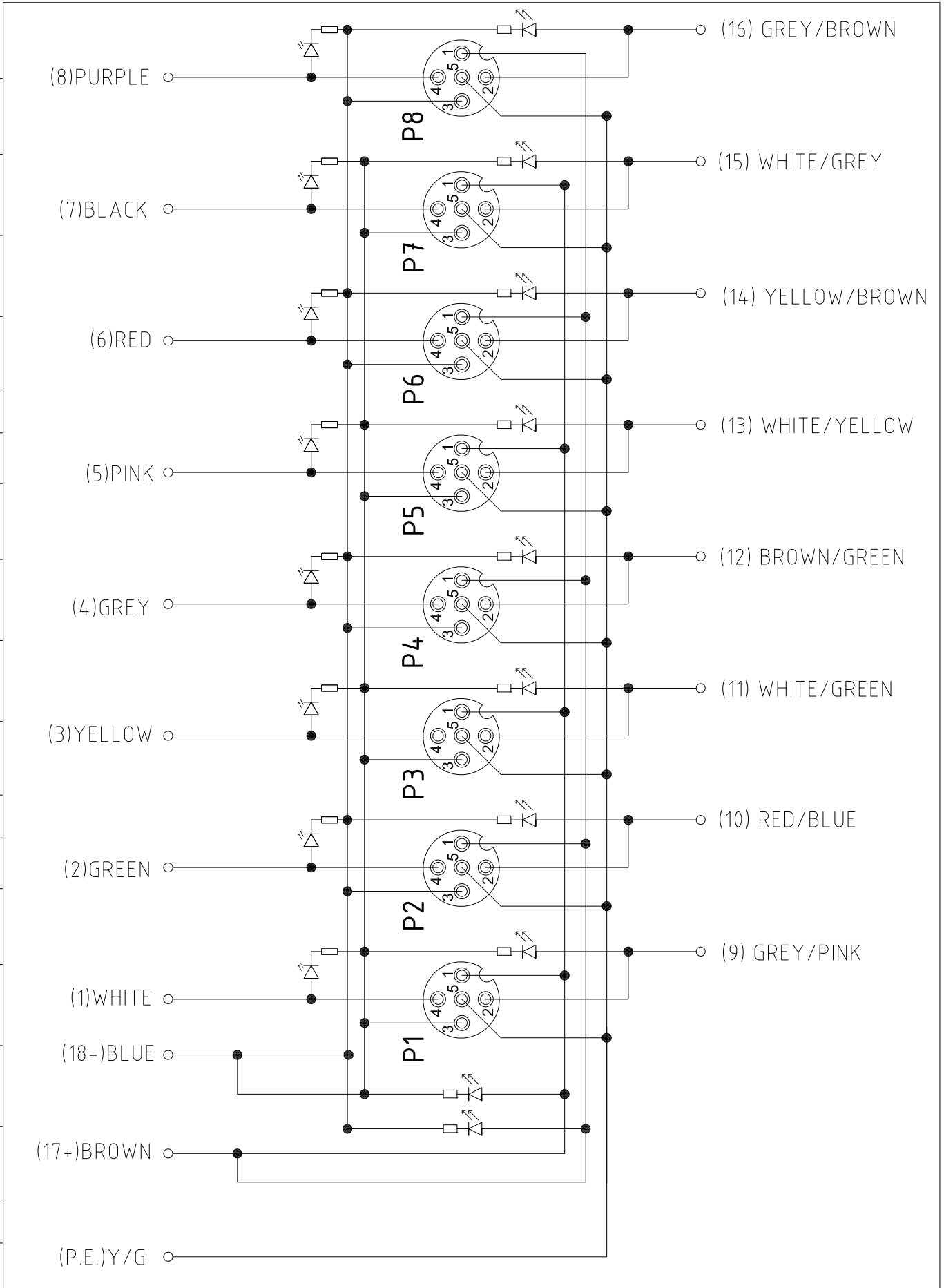


DESCRIPTION
M12 DISTRIBUTION BOX, WITH MOULDED CABLE, 8 POSITIONS M12 CONNECTORS. WITH N°5 POLES PER EACH M12 CONNECTOR, DOUBLE SIGNAL PER EACH OUTPUT. N°1 RED LED PER EACH SIGNAL + N°2 GREEN LED PER POWER SUPPLY LINES. CABLE PUR/TPO ULstyle 20549 3xAWG18+ 16xAWG22 BLACK L=5m. DISTRIBUTION BOX WITH H.T.P. LOGO

H.T.P. PART NUMBER

J12C8B5P5Z-IS

Rev.	Modify	Date	Signed	Approved
Rev.	Modify	Date	Signed	Approved
Rev.	Modify	Date	Signed	Approved



Designer	SUGLIANI R.	Date	2019-10-21	Tolerance	±0.3	Units:	mm	Series	M12	Drawing n.	2-2
Approved	CIMMINO L.	Date	2019-10-21	Scale	1:2	Size:	A4	Customer code:	DISTRIBUTION BOX		
DESCRIPTION M12 DISTRIBUTION BOX, WITH MOULDED CABLE, 8 POSITIONS M12 CONNECTORS. WITH N°5 POLES PER EACH M12 CONNECTOR, DOUBLE SIGNAL PER EACH OUTPUT. N°1 RED LED PER EACH SIGNAL + N°2 GREEN LED PER POWER SUPPLY LINES. CABLE PUR/TPO ULStyle 20549 3xAWG18+ 16XAWG22 BLACK L=5m. DISTRIBUTION BOX WITH H.T.P. LOGO									H.T.P.PART NUMBER J12C8B5P5Z-IS		