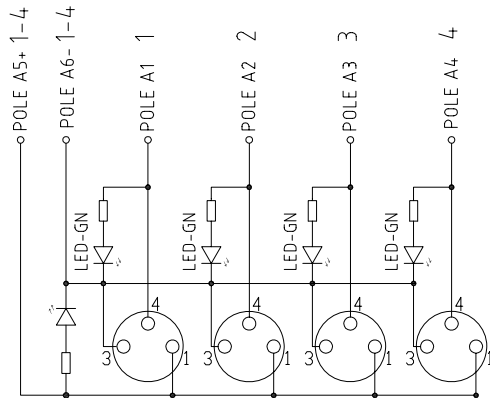


ELECTRICAL SCHEME:



DISTRIBUTION BOX FEATURES	PRODUCT TYPE	M8 DISTRIBUTION BOX + M12
	DISTRIBUTION BOX TYPE	4POSITION
	CONTACT TYPE	FEMALE
	NUMBER OF CONTACTS	3POLES
	CIRCUIT TYPE	PNP
	EXIT CABLE	M12 MALE 8POLES
	HOUSING COLOUR	BLACK
	DISTRIBUTION BOX SINGLE SIGNAL	
	DISTRIBUTION BOX WITH H.T.P.LOGO	
	DISTRIBUTION BOX WITH LED	

TOLLERANZE	±0.3	DISIGNATORE	LORENZO CHINDO	DATA	10/12/2012	SCALA	TO FIT	DISIGNO N.
U&M	ANGOLO	CONTROLLATO						
DESCRIZIONE						TIPO		CLIENTE
M8 DISTRIBUTION BOX ,COLOUR BLACK,3POLES,4POSITIONS, PNP CIRCUIT, WITH EXIT CABLE M12 8POLES						J08		
						CODICE		J08M4B3