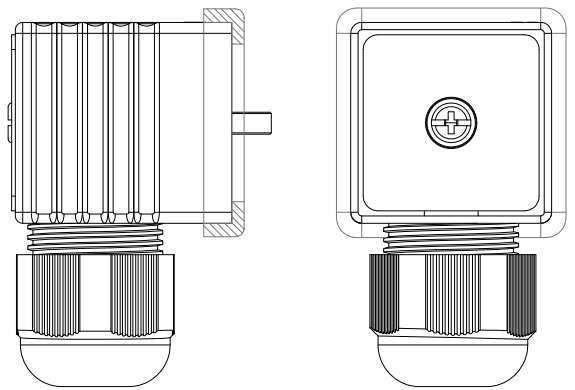
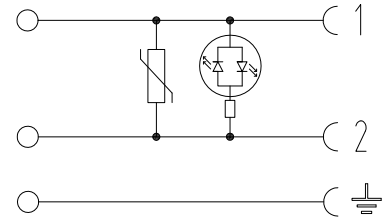
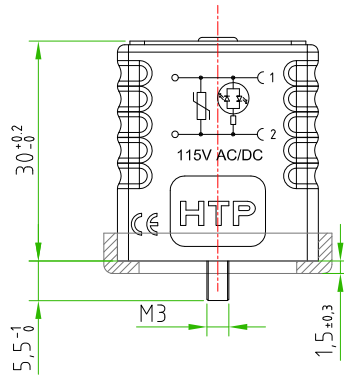
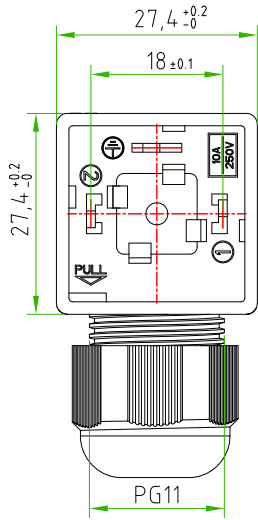
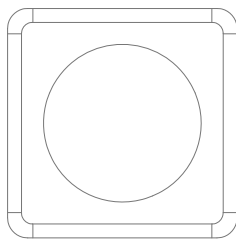


Rev.	Modify	Date	Firma	Approved

Rev.	Modify	Date	Firma	Approved

Rev.	Modify	Date	Signed	Approved



**CUSTOMER APPROVAL**

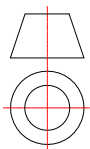
SIGNATURE	DATE

**PLEASE SIGN AND RETURN**

CONNECTOR FEATURES	PRODUCT TYPE	EN175301-803 FORM A FIELD ATTACHABLE.
	HOUSING MATERIAL/COLOUR	PA66 / TRANSPARENT
	PRESS-CABLE MATERIAL/COLOUR	PA66 / BLACK
	INTRENAL CORE MATERIAL/COLOUR	PA66 / BLACK
	HEIGHT HOUSING	30mm
	CONTACTS SPACING	18mm
	CONTACTS TYPE	SCREW CONTACTS(with protection plate)
	NUMBER OF POLES	2POLES+EARTH
	EARTH POSITIONING	H.12 (TURNABLE)
	CABLE EXIT	SK SYSTEM
	SUITABLE CABLE	FROM ø4mm TO ø8,6mm
	MAX.CONDUCTOR SIZE	1,5mm <sup>2</sup>
	PROTECTION CLASS	IP67
	CIRCUIT TYPE	BIPOLAR RED LED+VARISTOR
	RATED VOLTAGE	115V AC/DC
CONNECTOR TEMPERATURE RANGE	from -40°C to +90°C	
GASKET TYPE	PROFILED NBR	
FIXING SCREW	M3X0,5 L=32,5mm	
CONNECTOR WITH H.T.P. LOGO		

Designer	CIMMINO L.	Date	2020-04-06	Tolerance	±0,2	Units:	mm	Series	EN175301-803 (form A)	Drawing n.	1-1
Approved	SUGLIANI R.	Date	2020-04-06	Scale	1:1	Size:	A4	Customer code:			

A4



**DESCRIPTION**  
 SQUARE CONNECTOR EN175301-803 FORM A, FIELD ATTACHABLE, 2P. +PE, VARISTOR+RED LED, 115V AC/DC, TRANSPARENT HOUSING, SK EXIT. CONNECTOR WITH H.T.P. LOGO.

**H.T.P.PART NUMBER**

G1TU2VL2-SK