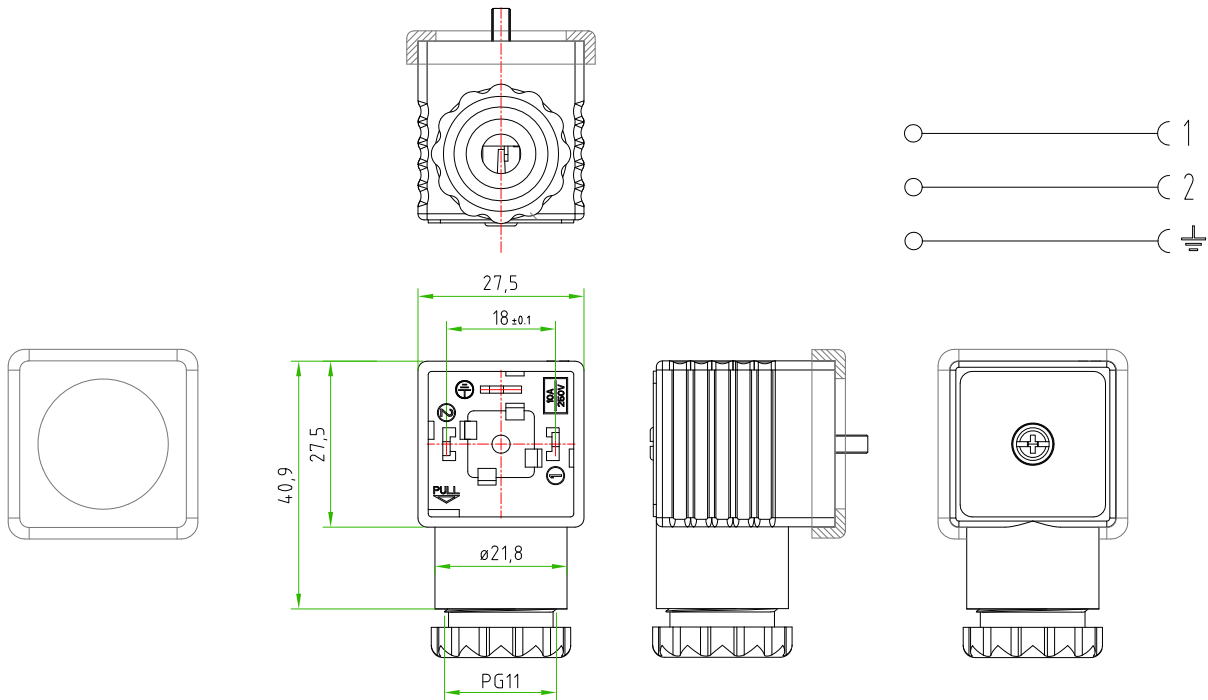
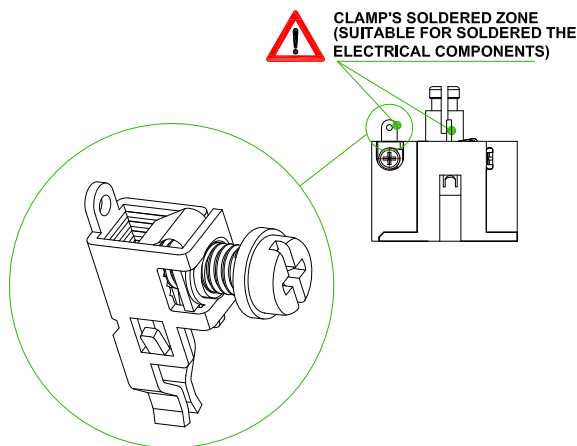


Rev.	Modify	Date	Firma	Approved
Rev.	Modify	Date	Firma	Approved
Rev.	Modify	Date	Firma	Approved
Rev.	Modify	Date	Firma	Approved
Rev.	Modify	Date	Firma	Approved



CONNECTOR FEATURES	
PRODUCT TYPE	EN175301-803 FORM A FIELD ATTACHABLE.
HOUSING MATERIAL/COLOUR	PA66 / TRANSPARENT
PRESS-CABLE MATERIAL/COLOUR	PA66 / BLACK
INTRENAL CORE MATERIAL/COLOUR	PA66 / BLACK
HEIGHT HOUSING	30mm
CONTACTS SPACING	18mm
CONTACTS TYPE	SCREW CONTACTS(with protection plate)
NUMBER OF POLES	2POLES+EARTH
EARTH POSITIONING	H.12 (TURNABLE)
CABLE EXIT	PG9/11 UNIFIED
SUITABLE CABLE	FROM ø6mm TO ø10mm
MAX.CONDUCTOR SIZE	1,5mm ²
PROTECTION CLASS	IP67
CIRCUIT TYPE	WITHOUT ELECTRONIC
RATED VOLTAGE	250V DC/ 300V AC
CONNECTOR TEMPERATURE RANGE	from -40°C to +90°C
GASKET TYPE	PROFILED NBR
FIXING SCREW	M3X0,5 L=32,5mm
CONNECTOR WITH H.T.P. LOGO	
! PAY ATTENTION: USE THE CONTACTS WITH SOLDER ZONE, FOR ELECTRONIC DEVICES USING	



CUSTOMER APPROVAL	
SIGNATURE	DATE
PLEASE SIGN AND RETURN	

Designer	SUGLIANI R.	Date	2016-05-03	Tolerance	±0,2	Units:	mm	Series	EN175301-803 (form A)	Drawing n.	1/1
Approved	CIMMINO L.	Date	2016-05-03	Scale	1:1	Size:	A4	Customer code:			

DESCRIPTION

SQUARE CONNECTOR EN175301-803 FORM A, FIELD ATTACHABLE, 2P. +PE, WITHOUT ELECTRONIC, 250V AC/ 300V DC, TRANSPARENT HOUSING, PG9/11 unified. CONNECTOR WITH H.T.P. LOGO.

H.T.P.PART NUMBER

G1TU2000

