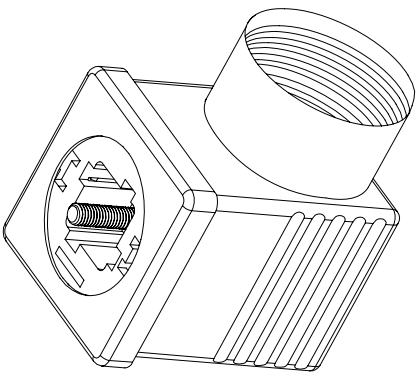


CONNECTOR FEATURES	
PRODUCT TYPE	DIN43650/A CONNECTOR FIELD ATTACHABLE
HOUSING COLOUR	TRANSPARENT
HIGH HOUSING	30mm
TYPE CONTACTS	SCREW WITH CONDUCTOR PROTECTION
CONTACT SPACING	18mm
NUMBER OF POLES	2POLES+EARTH
CABLE EXIT	1/2" NPTF
MAXIMUM CONDUCTOR SIZE	1.5mm
FIXING SCREW	M3X3.25
PROFILED GASKET	NBR
PROTECTION CLASS	IP67
CIRCUIT TYPE	FULL WAVE BRIDGE RECTIFIER + VARISTOR+ RED LED
VOLTAGE	115V AC



TOLLERANZE	DESIGNATORE	DATA	SCALA	PE30
UDM	LORENZO CHINNO CONTROLLATO	26-02-08	1 : 1	
DESCRIZIONE		TIPO	MATERIALE	
CONNECTOR DIN43650/A G1 SERIES CONTACT SPACING 18mm 2P+E TRANSPARENT HOUSING WITH VARISTOR+BRIDGE RECTIFIER+RED LED 115V 1/2" NPTF		G1		



H.T.P.
HIGH TECH PRODUCTS

G1TF2RL2