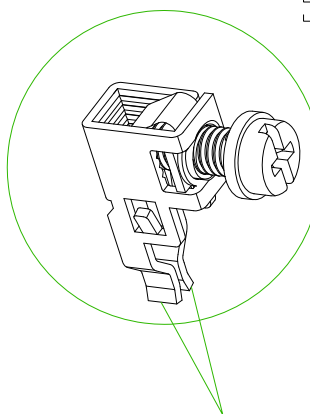
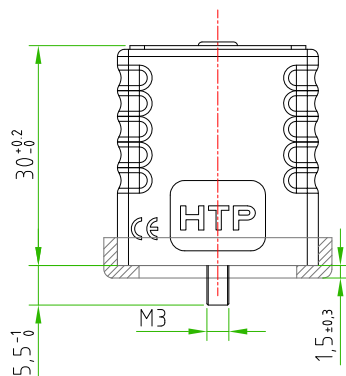
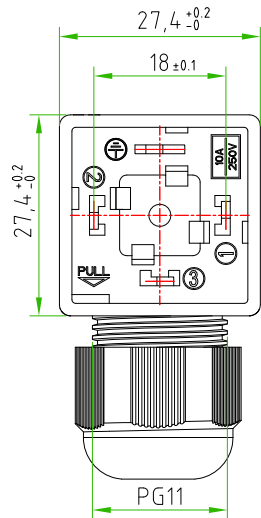
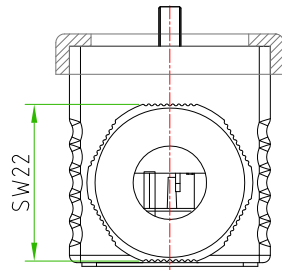
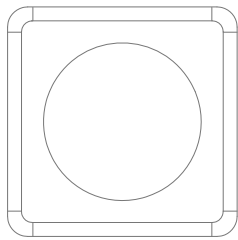


Rev.	Modify	Date	Firma	Approved

Rev.	Modify	Date	Firma	Approved

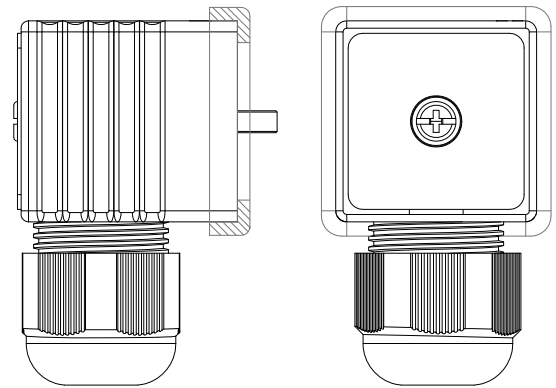
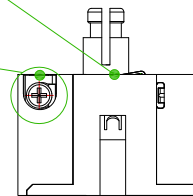
Rev.	Modify	Date	Signed	Approved



SPRING CONTACT



SPRING CONTACTS WITHOUT CLAMP'S SOLDERED ZONE



CONNECTOR FEATURES	
PRODUCT TYPE	EN175301-803 FORM A FIELD ATTACHABLE.
HOUSING MATERIAL/COLOUR	PA66 /BLACK
PRESS-CABLE MATERIAL/COLOUR	PA66 /BLACK
INTRENAL CORE MATERIAL/COLOUR	PA66 /BLACK
HEIGHT HOUSING	30mm
CONTACTS SPACING	18mm
CONTACTS TYPE	SCREW CONTACTS(with protection plate)
NUMBER OF POLES	3POLES+EARTH
EARTH POSITIONING	H.12 (TURNABLE)
CABLE EXIT	SK (SW22)
SUITABLE CABLE	FROM ø4mm TO ø8,6mm
MAX.CONDUCTOR SIZE	1,5mm ²
PROTECTION CLASS	IP67
CIRCUIT TYPE	WITHOUT ELECTRONIC
RATED VOLTAGE	250V AC / 300V DC
CONNECTOR TEMPERATURE RANGE	from -40°C to +90°C
GASKET TYPE	PROFILED NBR
FIXING SCREW	M3X0,5 L=32,5mm
CONNECTOR WITH H.T.P. LOGO	

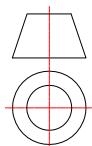
CUSTOMER APPROVAL

SIGNATURE DATE

PLEASE SIGN AND RETURN

A4

Designer	SUGLIANI R.	Date	2018-01-12	Tolerance	±0,2	Units:	mm	Series	EN175301-803 (form A)	Drawing n.	1/1
Approved	CIMMINO L.	Date	2018-01-12	Scale	1:1	Size:	A4	Customer code:			



DESCRIPTION

SQUARE CONNECTOR EN175301-803 FORM A, FIELD ATTACHABLE, 3P. +PE, WITHOUT ELECTRONIC, 250V AC/ 300V DC, BLACK HOUSING, SK EXIT. CONNECTOR WITH H.T.P. LOGO.

H.T.P.PART NUMBER

G1NU3000-SK