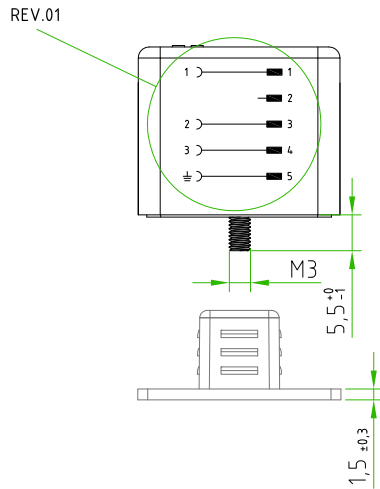
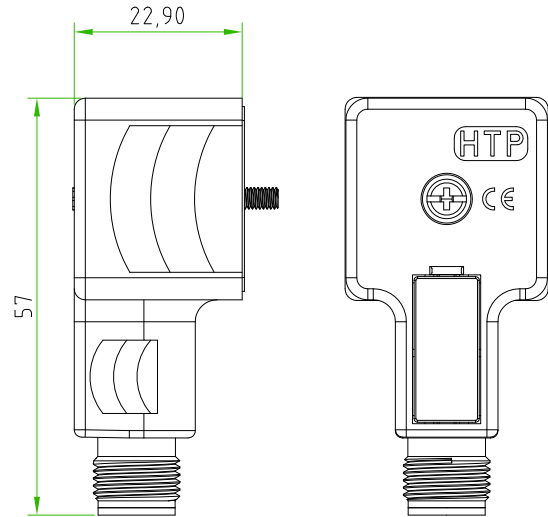
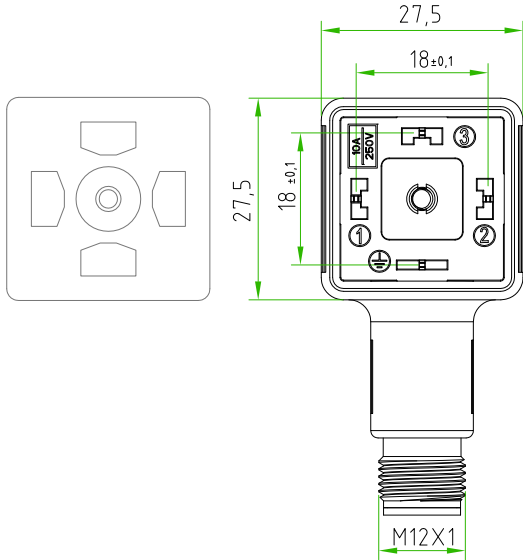
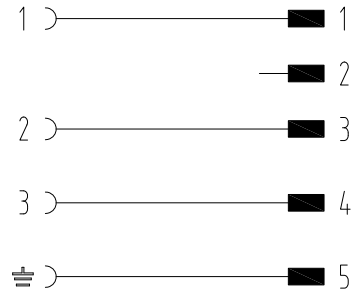
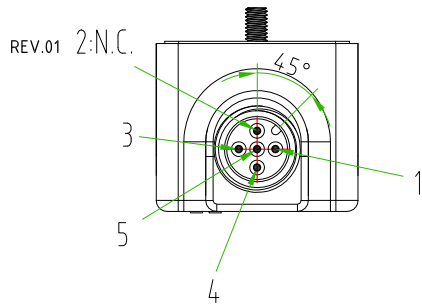


Rev.	Modify	Date	Signed	Approved

Rev.	Modify	Date	Signed	Approved

Rev.	Modify	Date	Signed	Approved
01	-	2019-04-12	CIMMINO L.	SUGLIANI R.



PRODUCT TYPE	ADAPTER CONNECTOR EN175301-803 (TYPE A) + M12 CIRCULAR CONNECTOR
CONNECTOR TYPE	SQUARE CONNECTOR EN175301-803(TYPE A)
CONNECTOR COLOUR	BLACK
CONTACTS SPACING	18mm
NUMBER OF CONTACTS	3POLES+EARTH
EARTH POSITIONING	H.6
CENTRAL FIXING SCREW	M3X0,5 L=25mm
GASKET TYPE	INTEGRATED (NBR)
PROTECTION CLASS	IP67
CIRCUIT TYPE	WITHOUT ELECTRONIC
RATED VOLTAGE	60V AC/DC
M12 CONNECTOR TYPE	STRAIGHT 180°
M12 CONTACTS TYPE	MALE 5POLES REV.01
M12 CONTACTS CONNECTED	N°4 (POLES 1,3,4,5)
CONNECTOR WITH H.T.P.LOGO	

CUSTOMER APPROVAL

SIGNATURE DATE

PLEASE SIGN AND RETURN

Designer	CIMMINO L.	Date	2019-04-08	Tolerance	±0.3	Units:	mm	Series	ADAPTER	Drawing n.
Approved	MAZZOLA M.	Date	2019-04-08	Scale	1:1	Size:	A4	Customer code:		

DESCRIPTION

ADAPTER SQUARE CONNECTOR EN175301-803 INDUSTRIAL STANDARD (type-A), 3P.+P.E., 18mm, BLACK, WITHOUT ELECTRONIC, +M12 CONNECTOR MALE 5POLES. CONNECTOR WITH H.T.P.LOGO

H.T.P.PART NUMBER

G1N03000A-12MD



A4

