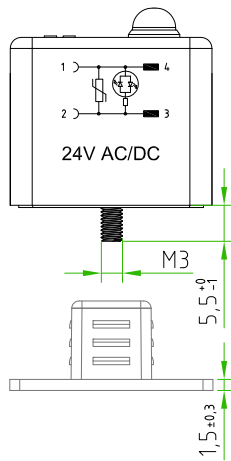
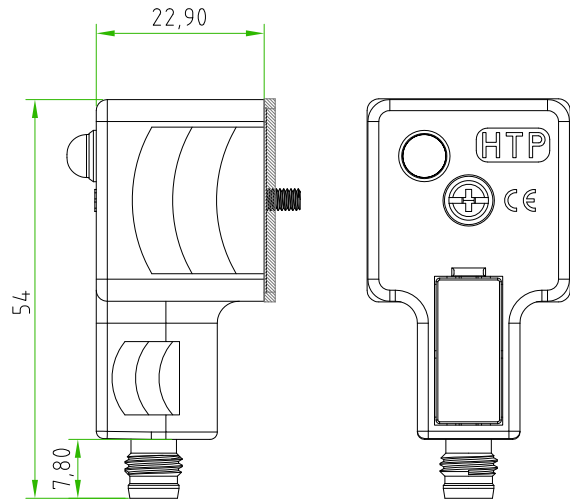
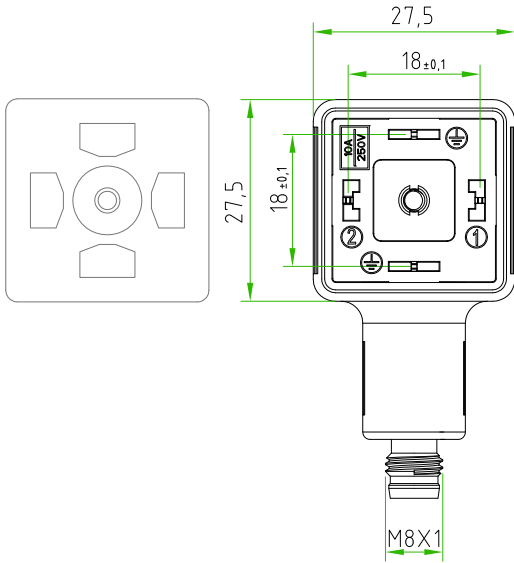
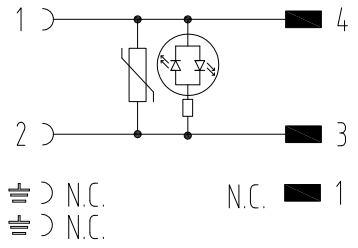
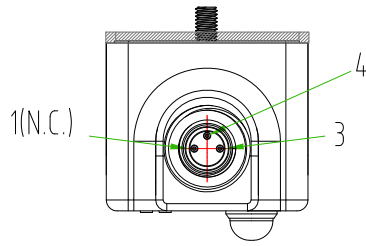




M8 CONNECTOR WITH N°3PINS ALSO IF ARE CONNECTED ONLY 2PINS.



PRODUCT TYPE	ADAPTER CONNECTOR EN175301-803 (TYPE A) + M8 CIRCULAR CONNECTOR
CONNECTOR TYPE	SQUARE CONNECTOR EN175301-803(TYPE A)
CONNECTOR COLOUR	BLACK
CONTACTS SPACING	18mm
NUMBER OF CONTACTS	2POLES+2EARTHS
EARTH POSITIONING	H.6-12 NOT CONNECTED
CENTRAL FIXING SCREW	M3X0,5 L=25mm
GASKET TYPE	INTEGRATED (NBR)
PROTECTION CLASS	IP67
CIRCUIT TYPE	BIPOLAR RED LED + VARISTOR
RATED VOLTAGE	24V AC/DC
M8 CONNECTOR TYPE	STRAIGHT 180°
M8 CONTACTS TYPE	MALE 3POLES
M8 CONTACTS CONNECTED	N°2
CONNECTOR WITH H.T.P.LOGO	

CUSTOMER APPROVAL

SIGNATURE DATE

PLEASE SIGN AND RETURN

Designer	SUGLIANI R.	Date	2021-09-27	Tolerance	±0.3	Units:	mm	Series	ADAPTER	Drawing n. 1-1
Approved	CIMMINO L.	Date	2021-09-27	Scale	1:1	Size:	A4	Customer code:		

DESCRIPTION

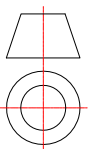
ADAPTER SQUARE CONNECTOR EN175301-803, (type-A), 2P.+P.E., 18mm, BLACK, WITH BIPOLAR RED LED + VARISTOR, +M8 CONNECTOR MALE 3POLES. CONNECTOR WITH H.T.P.LOGO

H.T.P.PART NUMBER

G1N02VL1C-08MD3



A4



Rev.		Modify		Date		Signed		Approved	
------	--	--------	--	------	--	--------	--	----------	--

Rev.		Modify		Date		Signed		Approved	
------	--	--------	--	------	--	--------	--	----------	--

Rev.		Modify		Date		Signed		Approved	
------	--	--------	--	------	--	--------	--	----------	--