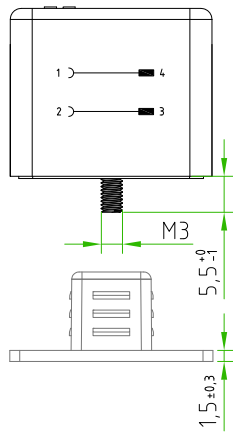
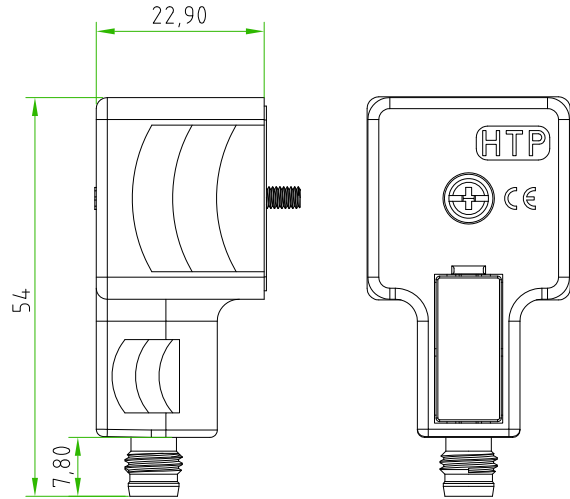
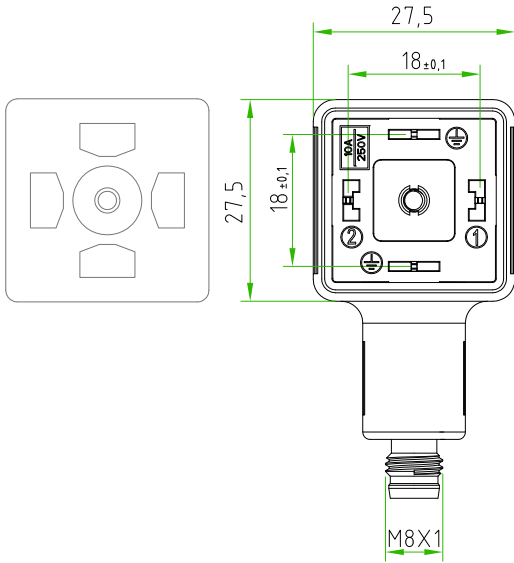
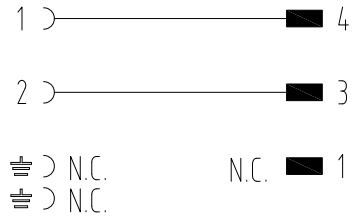
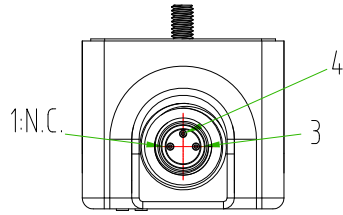




M8 CONNECTOR WITH N°3PINS ALSO IF ARE CONNECTED ONLY 2PINS.



| | |
|---------------------------|---|
| PRODUCT TYPE | ADAPTER CONNECTOR EN175301-803 (TYPE A) + M8 CIRCULAR CONNECTOR |
| CONNECTOR TYPE | SQUARE CONNECTOR EN175301-803(TYPE A) |
| CONNECTOR COLOUR | BLACK |
| CONTACTS SPACING | 18mm |
| NUMBER OF CONTACTS | 2POLES+2EARTHS |
| EARTH POSITIONING | H.6-12 NOT CONNECTED |
| CENTRAL FIXING SCREW | M3X0,5 L=25mm |
| GASKET TYPE | INTEGRATED (NBR) |
| PROTECTION CLASS | IP67 |
| CIRCUIT TYPE | WITHOUT ELECTRONIC |
| RATED VOLTAGE | 60V AC/DC |
| M8 CONNECTOR TYPE | STRAIGHT 180° |
| M8 CONTACTS TYPE | MALE 3POLES |
| M8 CONTACTS CONNECTED | N°2 |
| CONNECTOR WITH H.T.P.LOGO | |

CUSTOMER APPROVAL

SIGNATURE DATE

PLEASE SIGN AND RETURN

| | | | | | | | | | | |
|----------|-------------|------|------------|-----------|------|--------|----|----------------|---------|-------------------|
| Designer | CIMMINO L. | Date | 2016-06-28 | Tolerance | ±0.3 | Units: | mm | Series | ADAPTER | Drawing n. 1-1 |
| Approved | SUGLIANI R. | Date | 2016-06-28 | Scale | 1:1 | Size: | A4 | Customer code: | | |

DESCRIPTION

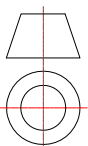
ADAPTER SQUARE CONNECTOR EN175301-803 INDUSTRIAL STANDARD (type-A), 2P.+P.E., 18mm, BLACK, WITHOUT ELECTRONIC, +M8 CONNECTOR MALE 3POLES. CONNECTOR WITH H.T.P.LOGO

H.T.P.PART NUMBER

G1N02000C-08MD3



A4



| | | | | | | | | | |
|------|--|--------|--|------|--|--------|--|----------|--|
| Rev. | | Modify | | Date | | Signed | | Approved | |
|------|--|--------|--|------|--|--------|--|----------|--|

| | | | | | | | | | |
|------|--|--------|--|------|--|--------|--|----------|--|
| Rev. | | Modify | | Date | | Signed | | Approved | |
|------|--|--------|--|------|--|--------|--|----------|--|

| | | | | | | | | | |
|------|--|--------|--|------|--|--------|--|----------|--|
| Rev. | | Modify | | Date | | Signed | | Approved | |
|------|--|--------|--|------|--|--------|--|----------|--|