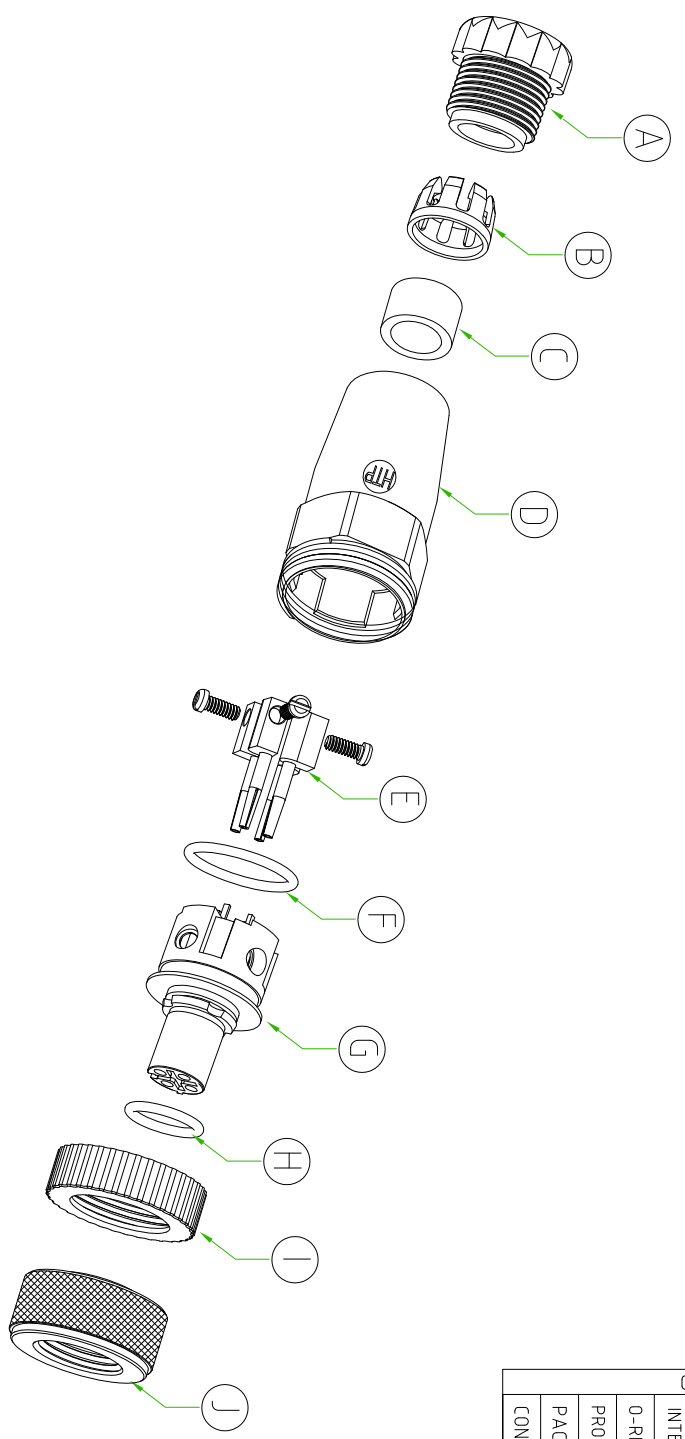
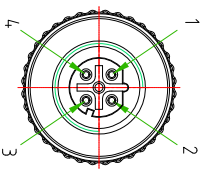
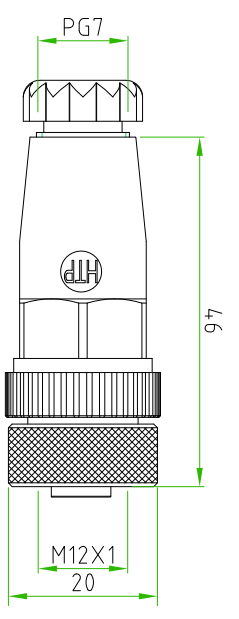


- C 1
- C 2
- C 3
- C 4



A	PRESS CABLE SCREW
B	LAMELLAE PRESS - CABLE SEAL
C	GASKET PRESS - CABLE SEAL
D	BLACK HOUSING
E	SCREW CONTACT GOLD PLATED
F	O-RING
G	INTERNAL CORE M12 D-CODED
H	O-RING
I	PLASTIC NUT FOR HOUSING
J	M12 NUT BRASS+NICKEL PLATED

CONNECTOR FEATURES	
PRODUCT TYPE	M12 D-CODED FIELD ATTACHABLE
CONTACT TYPE	FEMALE
NUMBER OF CONTACTS	4POLES
HOUSING TYPE	180°
EXIT CABLE	PG7
RATED VOL TAGE	250V AC/DC
RATED CURENT	4A
COUPLING NUT MATERIAL	Brass+nickel plated (CuZnNi)
HOUSING MATERIAL	PA66
INTERNAL CORE MATERIAL	PA66
O-RING	NBR
PROTECTION CLASS	IP65/IP67
PACKAGING:	SINGLY PACKED IN THE PLASTIC BAG
CONNECTOR WITH H.T.P.LOGO	

TOLLERANZE	±0.2	DISIGNAZIONE	DATA	SCALA	PE50
UDH	ANGOLID	LORENZO CHINNO CONTROLLATO	02.03.2018	1:1	
DESCRIZIONE	M12 FEMALE D-CODED STRAIGHT 180° 4POLES, FIELD ATTACHABLE PG7 CONNECTOR WITH H.T.P.LOGO			TR90	MATERIALE
				M12	
H.T.P. HIGH TECH PRODUCTS				CODE	D-12FC4000