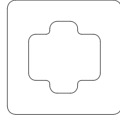
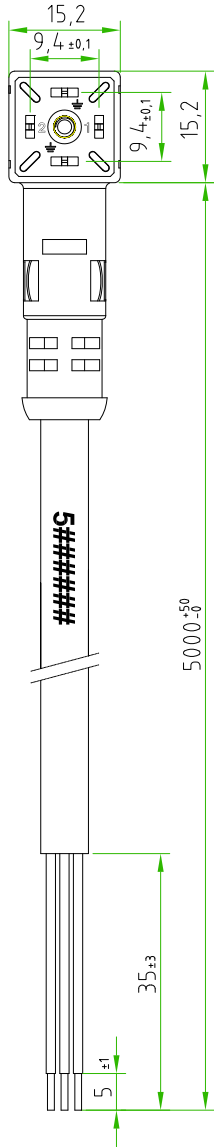
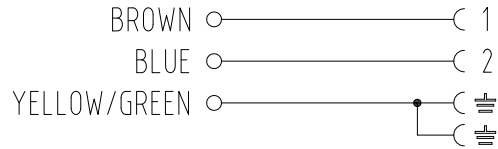
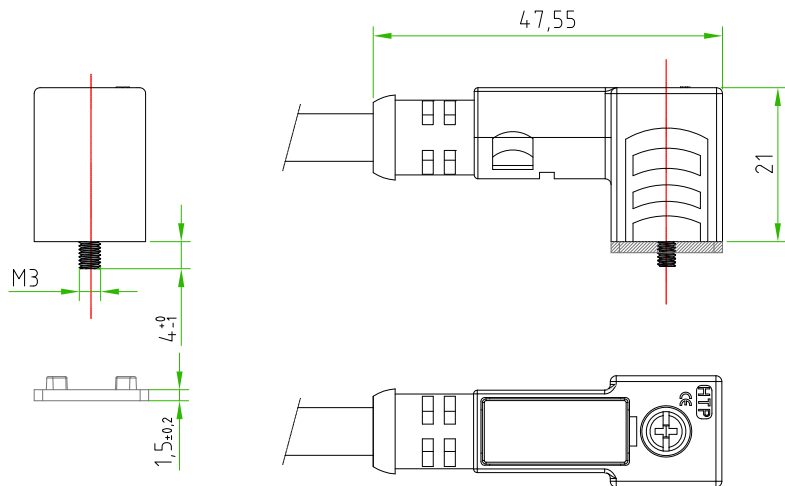


Rev.	Modify	Date	Signed	Approved
Rev.	Modify	Date	Signed	Approved
Rev.	Modify	Date	Signed	Approved
Rev.	Modify	Date	Signed	Approved



CONNECTOR FEATURES	
PRODUCT TYPE	MICRO CONNECTOR INDUSTRIAL STANDARD (type C)
CONNECTOR COLOUR	BLACK
CONTACTS SPACING	9,4mm
NUMBER OF CONTACTS	2POLES+2EARTH
EARTH POSITIONING	H.6-12
CENTRAL FIXING SCREW	M3X0,5 L=22,5mm
GASKET TYPE	INTEGRATED (NBR)
PROTECTION CLASS	IP67
CIRCUIT TYPE	WITHOUT ELECTRONIC
RATED VOLTAGE	250V AC / 300V DC
CONNECTOR WITH H.T.P.LOGO	
CABLE FEATURES	
H.T.P.CABLE CODE	CAVO 04
NUMBER OF CONDUCTORS	N°3
CONDUCTORS SECTION	0,5mm ²
CABLE MATERIAL	PVC CEI2022IIOR
COATING COLOUR	GREY RAL7032
CONDUCTORS INSULATION MATERIAL	PVC
CABLE LENGHT	5000mm
STRIPPING	35mm STANDARD
PEELING AND TINNING	5mm STANDARD
ON THE CABLE,NEAR THE CONNECTOR HEAD,MUST BE SILK PRINTED THE H.T.P. PRODUCTION DATE CODE 5#####	



CUSTOMER APPROVAL

SIGNATURE	DATE

PLEASE SIGN AND RETURN

Designer	CIMMINO L.	Date	2016-03-08	Tolerance	±0.3	Units:	mm	Series	INDUSTRIAL STANDARD	Drawing n. 1-1
Approved	MAZZOLA M.	Date	2016-03-08	Scale	1:1	Size:	A4	Customer code:		

	DESCRIPTION	H.T.P.PART NUMBER
	SQUARE MICRO CONNECTOR,INDUSTRIAL STANDARD (type-C),2P.+P.E.,9,4mm,BLACK, WITHOUT ELECTRONIC,250V AC / 300V DC,WITH CABLE PVC/PVC,CEI2022IIOR,3G0,5mm ² , GREY COLOUR,L=5m,CONNECTOR WITH H.T.P.LOGO	CP2N02000C045

A4

