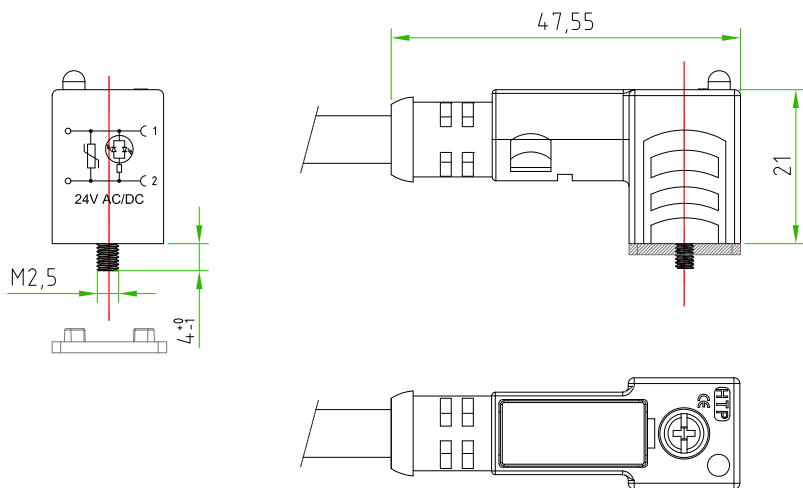


CONNECTOR FEATURES	
PRODUCT TYPE	MICRO CONNECTOR EN175301-803 FORM C
CONNECTOR COLOUR	BLACK
CONTACTS SPACING	8mm
NUMBER OF CONTACTS	2POLES+2EARTHS
EARTH POSITIONING	H.6-12
CENTRAL FIXING SCREW	M2,5X0,5 L=22,5mm
GASKET TYPE	INTEGRATED (NBR)
PROTECTION CLASS	IP67
CIRCUIT TYPE	BIPOLAR RED LED+VARISTOR
RATED VOLTAGE	24V AC/DC
CONNECTOR WITH H.T.P.LOGO	
CABLE FEATURES	
H.T.P.CABLE CODE	CAVO 04
NUMBER OF CONDUCTORS	N°3
CONDUCTORS SECTION	0,5mm <sup>2</sup>
CABLE MATERIAL	PVC CEI2022IIOR
COATING COLOUR	GREY RAL7032
CONDUCTORS INSULATION MATERIAL	PVC
CABLE LENGHT	3000mm
STRIPPING	35mm STANDARD
PEELING AND TINNING	5mm STANDARD
ON THE CABLE NEAR THE CONNECTOR HEAD,MUST BE SILK PRINTED THE H.T.P. PRODUCTION DATE CODE 5#####	



CUSTOMER APPROVAL

SIGNATURE      DATE

PLEASE SIGN  
AND RETURN

Designer	CIMMINO L.	Date	2015-11-03	Tolerance	±0.1	Units:	mm	Series	EN175301-803	Drawing n.	1-1
Approved	MAZZOLA M.	Date	2015-11-03	Scale	1:1	Size:	A4	Customer code:			

DESCRIPTION

SQUARE MICRO CONNECTOR,EN175301-803type-C),2P.+P.E.,8mm,BLACK, WITH BIPOLAR RED LED+VARISTOR,24V,WITH CABLE PVC/PVC,CEI2022IIOR, 3G0,5mm<sup>2</sup>,GREY COLOUR,L=3m,CONNECTOR WITH H.T.P.LOGO

H.T.P.PART NUMBER

CP1N02VL1C043

A4

