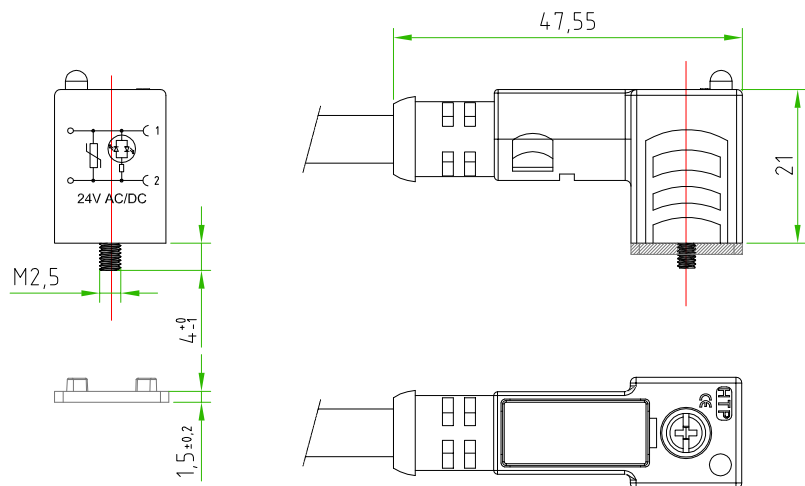


CONNECTOR FEATURES	
PRODUCT TYPE	MICRO CONNECTOR EN175301-803 (type-C)
CONNECTOR COLOUR	BLACK
CONTACTS SPACING	8mm
NUMBER OF CONTACTS	2POLES+2EARTHS
EARTH POSITIONING	H.6-12
CENTRAL FIXING SCREW	M2,5X0,5 L=22,5mm
GASKET TYPE	INTEGRATED (NBR)
PROTECTION CLASS	IP67
CIRCUIT TYPE	BIPOLAR RED LED+VARISTOR
RATED VOLTAGE	24V AC/DC
CONNECTOR WITH H.T.P.LOGO	
CABLE FEATURES	
H.T.P.CABLE CODE	CAVO 01
NUMBER OF CONDUCTORS	N°3
CONDUCTORS SECTION	0,5mm <sup>2</sup>
CABLE MATERIAL	PVC IEC332-1 H03VVF
COATING COLOUR	BLACK
CONDUCTORS INSULATION MATERIAL	PVC
CABLE LENGTH	5000mm
STRIPPING	35mm STANDARD
PEELING AND TINNING	5mm STANDARD
ON THE CABLE, NEAR THE CONNECTOR HEAD, MUST BE SILK PRINTED THE H.T.P. PRODUCTION DATE CODE 5#####	



CUSTOMER APPROVAL

SIGNATURE      DATE

PLEASE SIGN  
AND RETURN

Rev.	Modify	Date	Signed	Approved

Designer	CIMMINO L.	Date	2016-03-17	Tolerance	±0.3	Units:	mm	Series	EN175301-803	Drawing n. 1-1
Approved	MAZZOLA M.	Date	2016-03-17	Scale	1:1	Size:	A4	Customer code:		

	DESCRIPTION	H.T.P.PART NUMBER
	SQUARE MICRO CONNECTOR, EN175301-803 (type-C), 2P.+P.E., 8mm, BLACK, WITH BIPOLAR RED LED+VARISTOR, 24V, WITH CABLE PVC/PVC, IEC332-1 H05VVF, 3G0, 5mm <sup>2</sup> , BLACK COLOUR, L=5mm, CONNECTOR WITH H.T.P.LOGO	CP1N02VL1C015