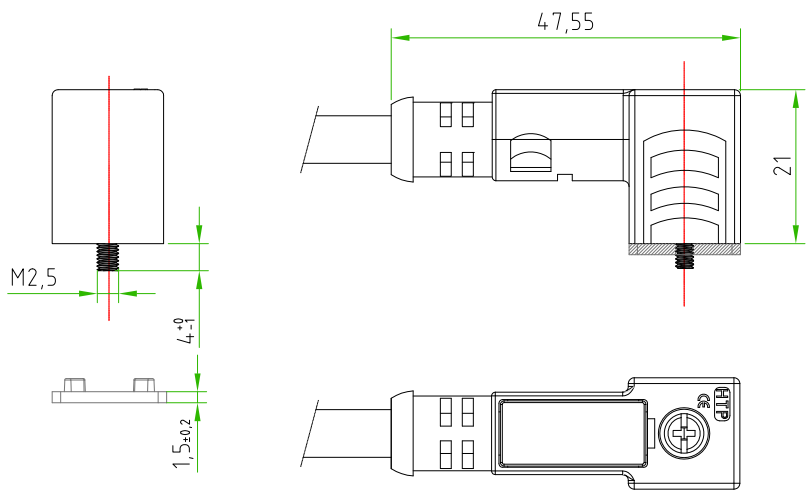


CONNECTOR FEATURES	PRODUCT TYPE	MICRO CONNECTOR EN175301-803 ( type C)
	CONNECTOR COLOUR	BLACK
	CONTACTS SPACING	8mm
	NUMBER OF CONTACTS	2POLES+2EARTHS
	EARTH POSITIONING	H.6-12
	CENTRAL FIXING SCREW	M2,5X0,5 L=22,5mm
	GASKET TYPE	INTEGRATED (NBR)
	PROTECTION CLASS	IP67
	CIRCUIT TYPE	WITHOUT ELECTRONIC
	RATED VOLTAGE	250V AC / 300V DC
CONNECTOR WITH H.T.P.LOGO		
CABLE FEATURES	H.T.P.CABLE CODE	CAVO 04
	NUMBER OF CONDUCTORS	N°3
	CONDUCTORS SECTION	0,5mm <sup>2</sup>
	CABLE MATERIAL	PVC CEI2022IIOR
	COATING COLOUR	GREY RAL7032
	CONDUCTORS INSULATION MATERIAL	PVC
	CABLE LENGHT	3000mm
	STRIPPING	35mm STANDARD
PEELING AND TINNING	5mm STANDARD	
ON THE CABLE,NEAR THE CONNECTOR HEAD,MUST BE SILK PRINTED THE H.T.P. PRODUCTION DATE CODE 5#####		

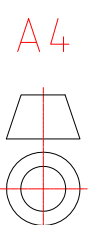


CUSTOMER APPROVAL

SIGNATURE	DATE

PLEASE SIGN AND RETURN

Rev.	Modify	Date	Signed	Approved



Designer	SUGLIANI R.	Date	2016-03-29	Tolerance	±0.3	Units:	mm	Series	EN175301-803	Drawing n.	1-1
Approved	CIMMINO L.	Date	2016-03-29	Scale	1:1	Size:	A4	Customer code:			
DESCRIPTION									H.T.P.PART NUMBER		
SQUARE MICRO CONNECTOR,EN17530-803(type-C),2P.+P.E.,8mm,BLACK, WITHOUT ELECTRONIC, 250V AC / 300V DC WITH CABLE PVC/PVC,CEI2022,3G0,5mm <sup>2</sup> , GREY COLOUR,L=3m, CONNECTOR WITH H.T.P.LOGO									CP1N02000C043		