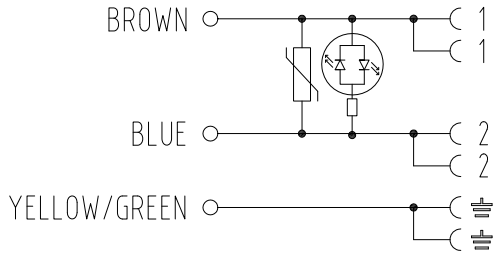
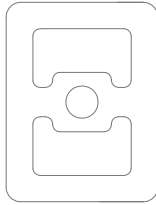
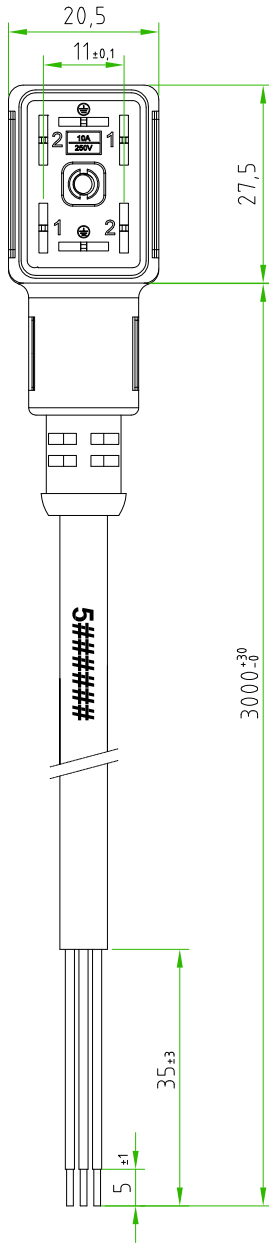
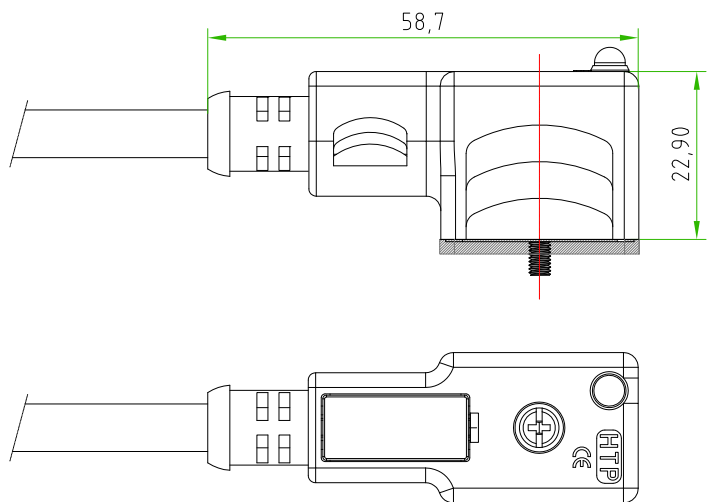
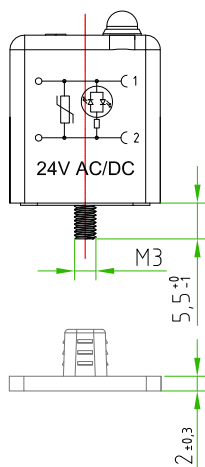


Rev.	Modify	Date	Signed	Approved
Rev.	Modify	Date	Signed	Approved
Rev.	Modify	Date	Signed	Approved
Rev.	Modify	Date	Signed	Approved
Rev.	Modify	Date	Signed	Approved



CONNECTOR FEATURES	
PRODUCT TYPE	RECTANGULAR CONNECTOR INDUSTRIAL STANDARD (TYPE B)
CONNECTOR COLOUR	BLACK
CONTACTS SPACING	11mm
NUMBER OF CONTACTS	2POLES+2EARTHS
EARTH POSITIONING	H.6-12
CENTRAL FIXING SCREW	M3X0,5 L=25mm
GASKET TYPE	INTEGRATED (NBR)
PROTECTION CLASS	IP67
CIRCUIT TYPE	BIPOLAR RED LED+VARISTOR
RATED VOLTAGE	24V AC/DC
CONNECTOR WITH H.T.P. LOGO	
CABLE FEATURES	
H.T.P. CABLE CODE	CAVO 10
NUMBER OF CONDUCTORS	N°3
CONDUCTORS SECTION	0,5mm ²
CABLE MATERIAL	PUR Li-YY11Y
COATING COLOUR	BLACK
CONDUCTORS INSULATION MATERIAL	PUR
CABLE LENGHT	3000mm
STRIPPING	35mm STANDARD
PEELING AND TINNING	5mm STANDARD
ON THE CABLE, NEAR THE CONNECTOR HEAD, MUST BE SILK PRINTED THE H.T.P. PRODUCTION DATE CODE 5#####	



CUSTOMER APPROVAL

SIGNATURE	DATE

PLEASE SIGN AND RETURN

Designer	SUGLIANI R.	Date	2016-06-13	Tolerance	±0.3	Units:	mm	Series	INDUSTRIAL STANDARD	Drawing n.
Approved	CIMMINO L.	Date	2016-06-13	Scale	1:1	Size:	A4	Customer code:	1-1	



DESCRIPTION

RECTANGULAR CONNECTOR INDUSTRIAL STANDARD (type-B), 2P.+P.E., 11mm, BLACK, WITH BIPOLAR RED LED+VARISTOR, 24V, WITH CABLE PUR/PUR, Li-YY11Y, 3G0.5mm², BLACK, L=3m. CONNECTOR WITH H.T.P. LOGO

H.T.P. PART NUMBER

CM1N02VL1C103

A4

