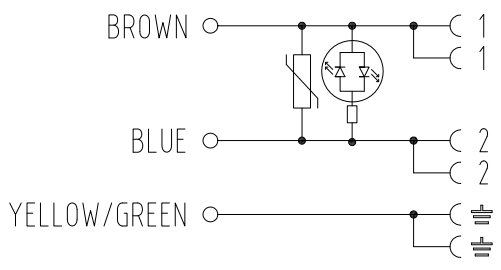
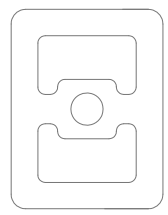
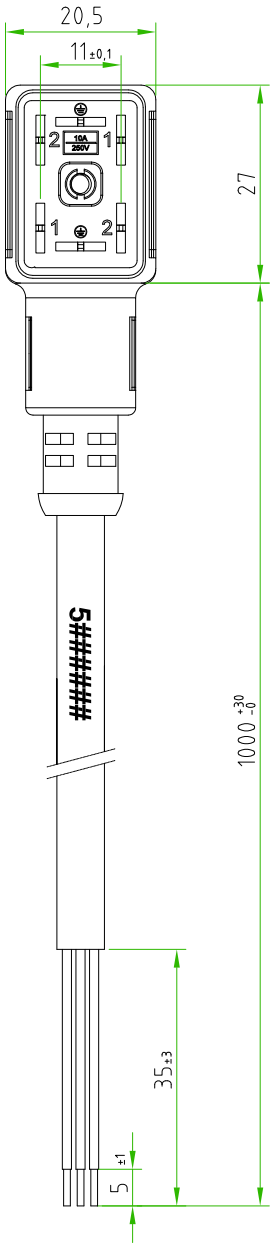


Rev.	Modify	Date	Signed	Approved

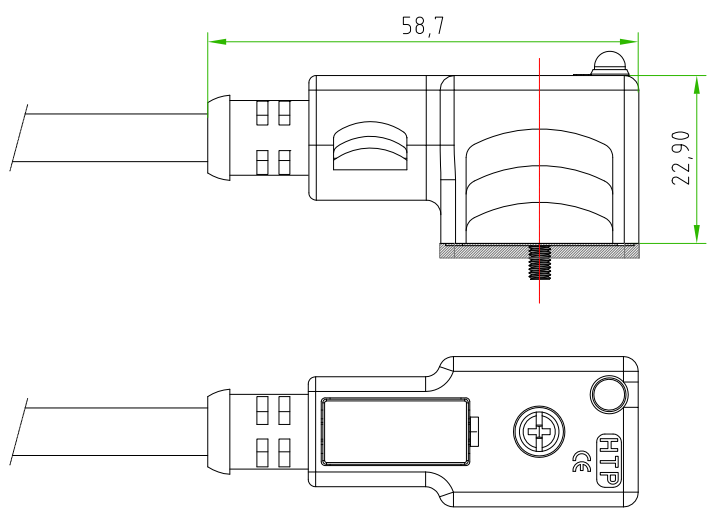
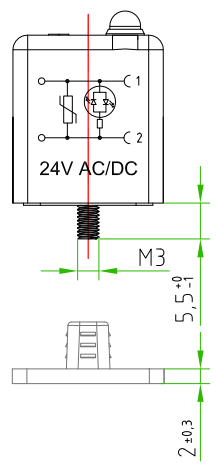


CONNECTOR FEATURES	PRODUCT TYPE	RECTANGULAR CONNECTOR INDUSTRIAL STANDARD (TYPE B)
	CONNECTOR COLOUR	BLACK
	CONTACTS SPACING	11mm
	NUMBER OF CONTACTS	2POLES+2EARTHS
	EARTH POSITIONING	H.6-12
	CENTRAL FIXING SCREW	M3X0,5 L=25mm
	GASKET TYPE	INTEGRATED (NBR)
	PROTECTION CLASS	IP67
	CIRCUIT TYPE	BIPOLAR RED LED+VARISTOR
	RATED VOLTAGE	24V AC/DC
CONNECTOR WITH H.T.P.LOGO		
CABLE FEATURES	H.T.P.CABLE CODE	CAVO 03
	NUMBER OF CONDUCTORS	N°3
	CONDUCTORS SECTION	0,75mm <sup>2</sup>
	CABLE MATERIAL	PVC CEI2022IIOR
	COATING COLOUR	GREY RAL7032
	CONDUCTORS INSULATION MATERIAL	PVC
	CABLE LENGHT	1000mm
STRIPPING	35mm STANDARD	
PEELING AND TINNING	5mm STANDARD	
ON THE CABLE, NEAR THE CONNECTOR HEAD, MUST BE SILK PRINTED THE H.T.P. PRODUCTION DATE CODE 5#####		

CUSTOMER APPROVAL

SIGNATURE	DATE

PLEASE SIGN AND RETURN



A4

Designer	CIMMINO L.	Date	2017-08-28	Tolerance	±0.3	Units:	mm	Series	INDUSTRIAL STANDARD	Drawing n.
Approved	MAZZOLA M.	Date	2017-08-28	Scale	1:1	Size:	A4	Customer code:		
DESCRIPTION										H.T.P. PART NUMBER
RECTANGULAR CONNECTOR INDUSTRIAL STANDARD (type-B), 2P.+P.E., 11mm, BLACK, WITH BIPOLAR RED LED+VARISTOR, 24V, WITH CABLE PVC/PVC, CEI2022IIOR, 3G0.75mm <sup>2</sup> , GREY COLOUR, L=1m. CONNECTOR WITH H.T.P. LOGO										
HTP HIGH TECH PRODUCTS S.R.L.										CM1N02VL1C031