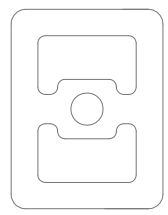
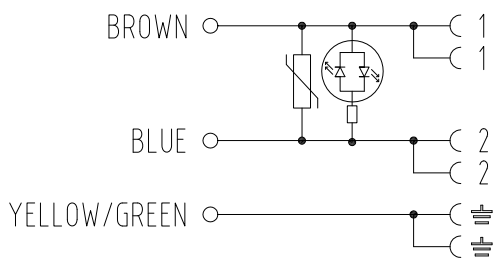
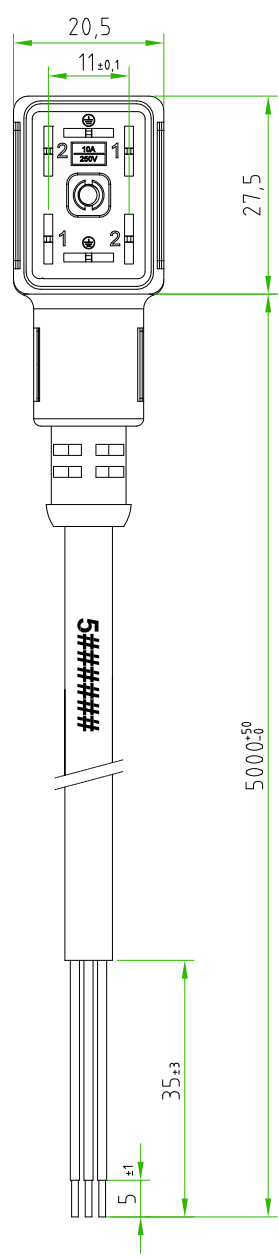


Rev.	Modify	Date	Signed	Approved

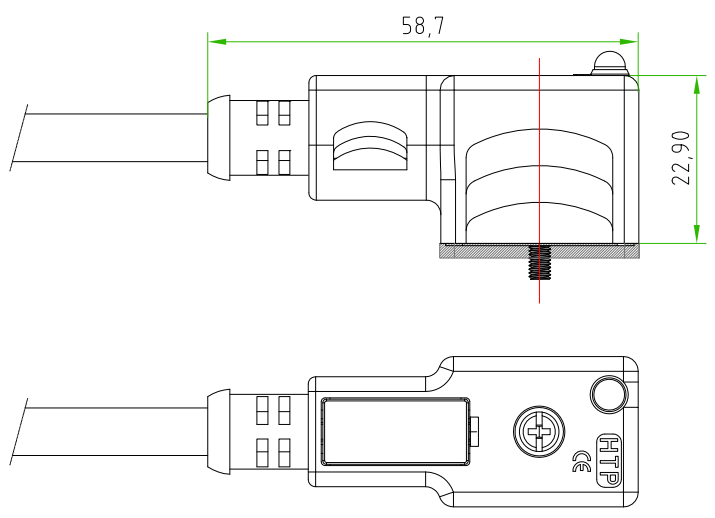
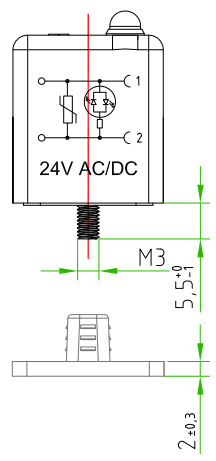


CONNECTOR FEATURES	PRODUCT TYPE	RECTANGULAR CONNECTOR INDUSTRIAL STANDARD (TYPE B)
	CONNECTOR COLOUR	BLACK
	CONTACTS SPACING	11mm
	NUMBER OF CONTACTS	2POLES+2EARTHS
	EARTH POSITIONING	H.6-12
	CENTRAL FIXING SCREW	M3X0,5 L=25mm
	GASKET TYPE	INTEGRATED (NBR)
	PROTECTION CLASS	IP67
	CIRCUIT TYPE	BIPOLAR RED LED+VARISTOR
	RATED VOLTAGE	24V AC/DC
CONNECTOR WITH H.T.P. LOGO		
CABLE FEATURES	H.T.P. CABLE CODE	CAVO 01
	NUMBER OF CONDUCTORS	N°3
	CONDUCTORS SECTION	0,50mm ²
	CABLE MATERIAL	PVC IEC332-1 H03VVF
	COATING COLOUR	BLACK
	CONDUCTORS INSULATION MATERIAL	PVC
	CABLE LENGTH	5000mm
	STRIPPING	35mm STANDARD
PEELING AND TINNING	5mm STANDARD	
ON THE CABLE, NEAR THE CONNECTOR HEAD, MUST BE SILK PRINTED THE H.T.P. PRODUCTION DATE CODE 5#####		

CUSTOMER APPROVAL

SIGNATURE	DATE

PLEASE SIGN AND RETURN



Designer	CIMMINO L.	Date	2021-09-23	Tolerance	±0.3	Units	mm	Series	INDUSTRIAL STANDARD	Drawing n.	1-1
Approved	SUGLIANI R.	Date	2021-09-23	Scale	1:1	Size	A4	Customer code:			
DESCRIPTION									H.T.P. PART NUMBER		
RECTANGULAR CONNECTOR INDUSTRIAL STANDARD (type-B), 2P.+P.E., 11mm, BLACK, WITH BIPOLAR RED LED+VARISTOR, 24V, WITH CABLE PVC/PVC, IEC332-1 H03VVF, 3G0.50mm ² , BLACK COLOUR, L=5m. CONNECTOR WITH H.T.P. LOGO									CM1N02VL1C015		

