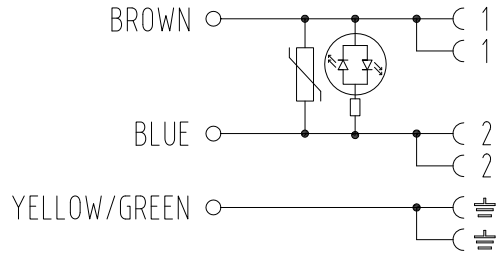
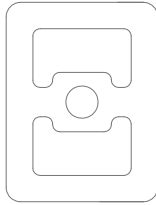
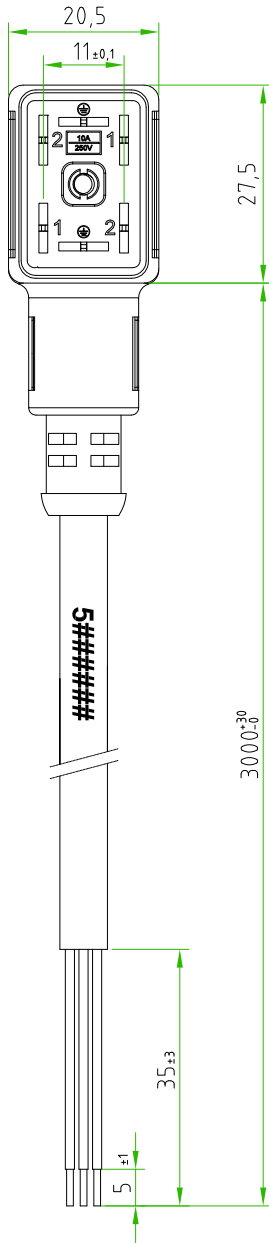
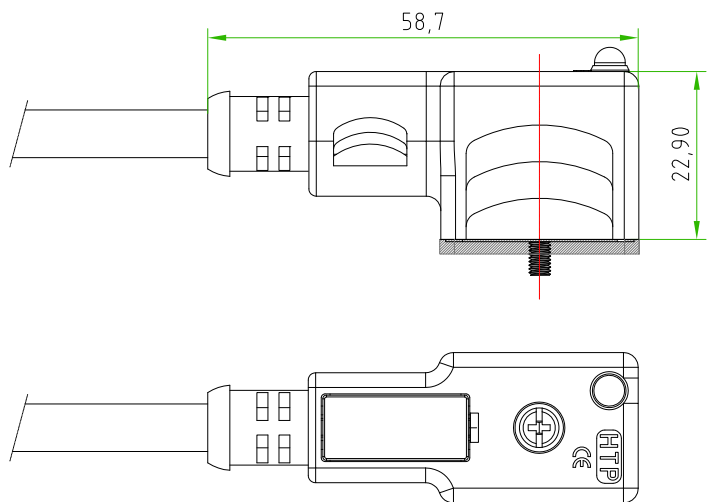
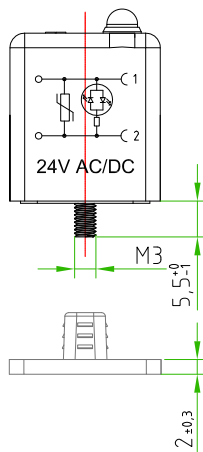


Rev.	Modify	Date	Signed	Approved
Rev.	Modify	Date	Signed	Approved
Rev.	Modify	Date	Signed	Approved
Rev.	Modify	Date	Signed	Approved



CONNECTOR FEATURES	
PRODUCT TYPE	RECTANGULAR CONNECTOR INDUSTRIAL STANDARD (TYPE B)
CONNECTOR COLOUR	BLACK
CONTACTS SPACING	11mm
NUMBER OF CONTACTS	2POLES+2EARTHS
EARTH POSITIONING	H.6-12
CENTRAL FIXING SCREW	M3X0,5 L=25mm
GASKET TYPE	INTEGRATED (NBR)
PROTECTION CLASS	IP67
CIRCUIT TYPE	BIPOLAR RED LED+VARISTOR
RATED VOLTAGE	24V AC/DC
CONNECTOR WITH H.T.P. LOGO	
CABLE FEATURES	
H.T.P. CABLE CODE	CAVO 01
NUMBER OF CONDUCTORS	N°3
CONDUCTORS SECTION	0,50mm ²
CABLE MATERIAL	PVC IEC332-1 H03VVF
COATING COLOUR	BLACK
CONDUCTORS INSULATION MATERIAL	PVC
CABLE LENGTH	3000mm
STRIPPING	35mm STANDARD
PEELING AND TINNING	5mm STANDARD
ON THE CABLE, NEAR THE CONNECTOR HEAD, MUST BE SILK PRINTED THE H.T.P. PRODUCTION DATE CODE 5#####	



CUSTOMER APPROVAL

SIGNATURE	DATE

PLEASE SIGN AND RETURN

Designer	CIMMINO L.	Date	2020-01-07	Tolerance	±0.3	Units:	mm	Series	INDUSTRIAL STANDARD	Drawing n. 1-1
Approved	SUGLIANI R.	Date	2020-01-07	Scale	1:1	Size:	A4	Customer code:		

	DESCRIPTION	H.T.P. PART NUMBER
	RECTANGULAR CONNECTOR INDUSTRIAL STANDARD (type-B), 2P.+P.E., 11mm, BLACK, WITH BIPOLAR RED LED+VARISTOR, 24V, WITH CABLE PVC/PVC, IEC332-1 H03VVF, 3G0.50mm ² , BLACK COLOUR, L=3m. CONNECTOR WITH H.T.P. LOGO	CM1N02VL1C013