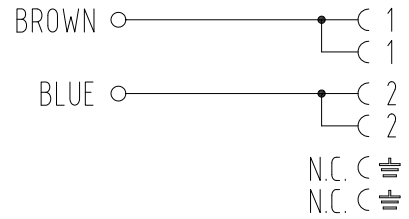
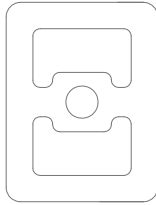
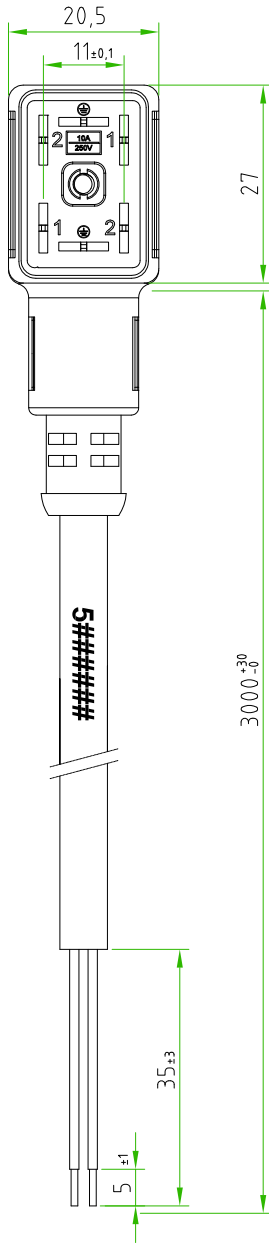


|      |        |      |        |          |
|------|--------|------|--------|----------|
| Rev. | Modify | Date | Signed | Approved |
|      |        |      |        |          |
| Rev. | Modify | Date | Signed | Approved |
|      |        |      |        |          |
| Rev. | Modify | Date | Signed | Approved |
|      |        |      |        |          |
| Rev. | Modify | Date | Signed | Approved |
|      |        |      |        |          |

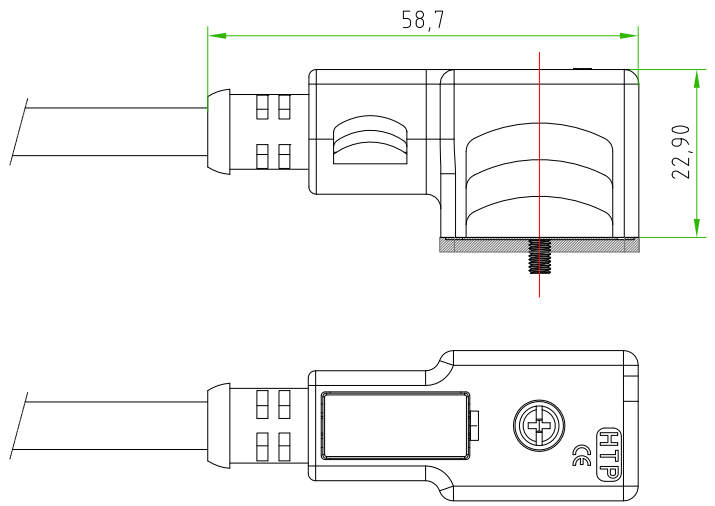
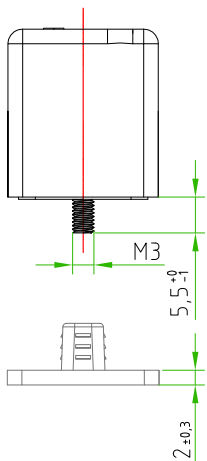


| CONNECTOR FEATURES                                                                                 |                                                    |
|----------------------------------------------------------------------------------------------------|----------------------------------------------------|
| PRODUCT TYPE                                                                                       | RECTANGULAR CONNECTOR INDUSTRIAL STANDARD (TYPE B) |
| CONNECTOR COLOUR                                                                                   | BLACK                                              |
| CONTACTS SPACING                                                                                   | 11mm                                               |
| NUMBER OF CONTACTS                                                                                 | 2POLES+2EARTHS                                     |
| EARTH POSITIONING                                                                                  | H.6-12 NOT CONNECTED                               |
| CENTRAL FIXING SCREW                                                                               | M3X0,5 L=25mm                                      |
| GASKET TYPE                                                                                        | INTEGRATED (NBR)                                   |
| PROTECTION CLASS                                                                                   | IP67                                               |
| CIRCUIT TYPE                                                                                       | WITHOUT ELECTRONIC                                 |
| RATED VOLTAGE                                                                                      | 250V AC/ 300V DC                                   |
| CONNECTOR WITH H.T.P. LOGO                                                                         |                                                    |
| CABLE FEATURES                                                                                     |                                                    |
| H.T.P. CABLE CODE                                                                                  | CAVO A1                                            |
| NUMBER OF CONDUCTORS                                                                               | N°2                                                |
| CONDUCTORS SECTION                                                                                 | 0,5mm <sup>2</sup>                                 |
| CABLE MATERIAL                                                                                     | PVC IEC332-1 H03VVF                                |
| COATING COLOUR                                                                                     | BLACK                                              |
| CONDUCTORS INSULATION MATERIAL                                                                     | PVC                                                |
| CABLE LENGTH                                                                                       | 3000mm                                             |
| STRIPPING                                                                                          | 35mm STANDARD                                      |
| PEELING AND TINNING                                                                                | 5mm STANDARD                                       |
| ON THE CABLE, NEAR THE CONNECTOR HEAD, MUST BE SILK PRINTED THE H.T.P. PRODUCTION DATE CODE 5##### |                                                    |

**CUSTOMER APPROVAL**

|           |      |
|-----------|------|
| SIGNATURE | DATE |
|           |      |

**PLEASE SIGN AND RETURN**



A4

|          |            |      |            |           |      |        |    |                |                     |            |
|----------|------------|------|------------|-----------|------|--------|----|----------------|---------------------|------------|
| Designer | LOSI M.    | Date | 2020-04-21 | Tolerance | ±0.3 | Units: | mm | Series         | INDUSTRIAL STANDARD | Drawing n. |
| Approved | MAZZOLA M. | Date | 2020-04-21 | Scale     | 1:1  | Size:  | A4 | Customer code: | 1-1                 |            |



**DESCRIPTION**  
 RECTANGULAR CONNECTOR INDUSTRIAL STANDARD (type-B),BLACK, 2P.+P.E.,11mm,WITHOUT ELECTRONIC,250VAC/300V DC,WITH CABLE PVC/PVC, H03VVF,2X0.5mm<sup>2</sup>,BLACK COLOUR,L=3m.CONNECTOR WITH H.T.P.LOGO

**H.T.P.PART NUMBER**  
 CM1N02000CA13