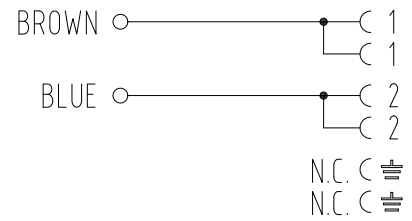
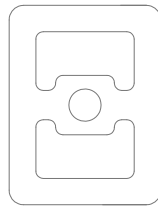
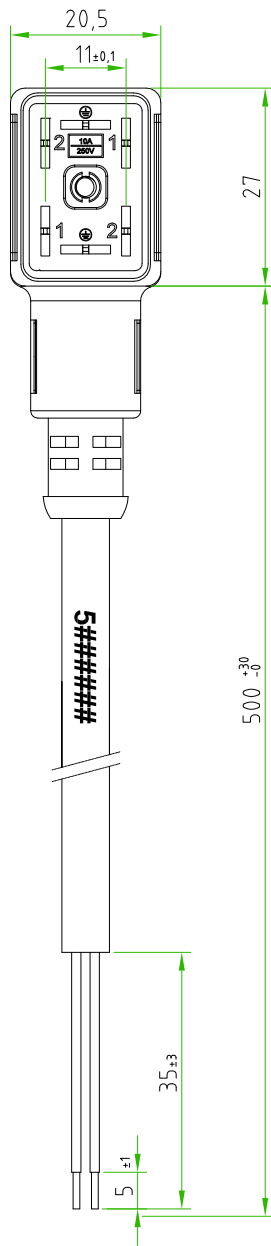


Rev.	Modify	Date	Signed	Approved

Rev.	Modify	Date	Signed	Approved

Rev.	Modify	Date	Signed	Approved

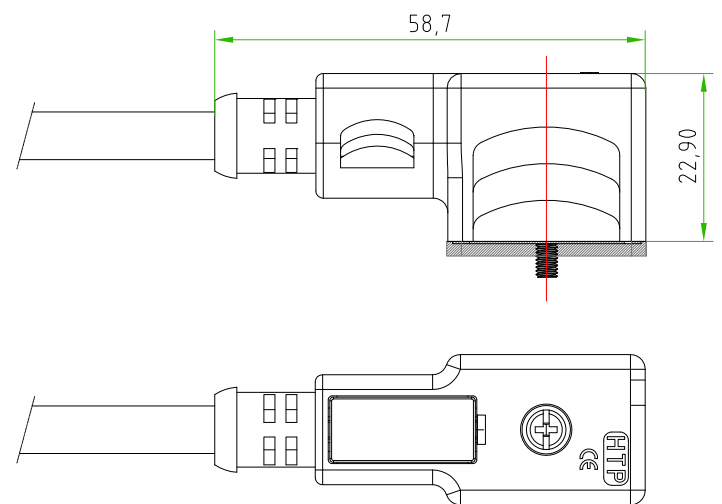
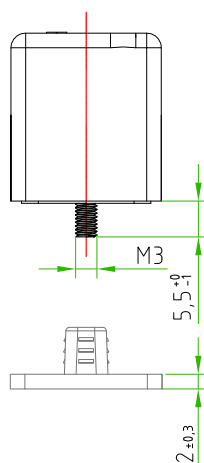


CONNECTOR FEATURES	
PRODUCT TYPE	RECTANGULAR CONNECTOR INDUSTRIAL STANDARD (TYPE B)
CONNECTOR COLOUR	BLACK
CONTACTS SPACING	11mm
NUMBER OF CONTACTS	2POLES+2EARTHS
EARTH POSITIONING	H.6-12 NOT CONNECTED
CENTRAL FIXING SCREW	M3X0,5 L=25mm
GASKET TYPE	INTEGRATED (NBR)
PROTECTION CLASS	IP67
CIRCUIT TYPE	WITHOUT ELECTRONIC
RATED VOLTAGE	250V AC/ 300V DC
CONNECTOR WITH H.T.P.LOGO	
CABLE FEATURES	
H.T.P.CABLE CODE	CAVO A1
NUMBER OF CONDUCTORS	N°2
CONDUCTORS SECTION	0,5mm ²
CABLE MATERIAL	PVC IEC332-1 H03VVF
COATING COLOUR	BLACK
CONDUCTORS INSULATION MATERIAL	PVC
CABLE LENGHT	500mm
STRIPPING	35mm STANDARD
PEELING AND TINNING	5mm STANDARD
ON THE CABLE, NEAR THE CONNECTOR HEAD, MUST BE SILK PRINTED THE H.T.P. PRODUCTION DATE CODE 5#####	

CUSTOMER APPROVAL

SIGNATURE DATE

PLEASE SIGN
AND RETURN



A4

Designer	SUGLIANI R.	Date	2020-02-04	Tolerance	±0.3	Units:	mm	Series	INDUSTRIAL STANDARD	Drawing n. 1-1
Approved	CIMMINO L.	Date	2020-02-04	Scale	1:1	Size:	A4	Customer code:		

DESCRIPTION

RECTANGULAR CONNECTOR INDUSTRIAL STANDARD (type-B),BLACK, 2P.+P.E., 11mm, WITHOUT ELECTRONIC, 250VAC/300V DC, WITH CABLE PVC/PVC, H03VVF, 2X0.5mm², BLACK COLOUR, L=0,5m. CONNECTOR WITH H.T.P.LOGO

H.T.P.PART NUMBER

CM1N02000CA10E

