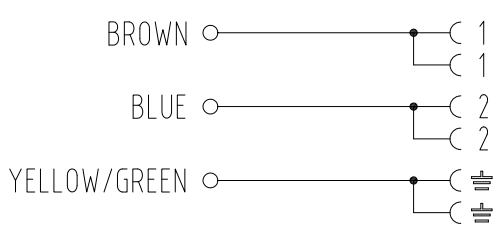
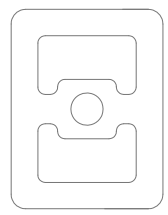
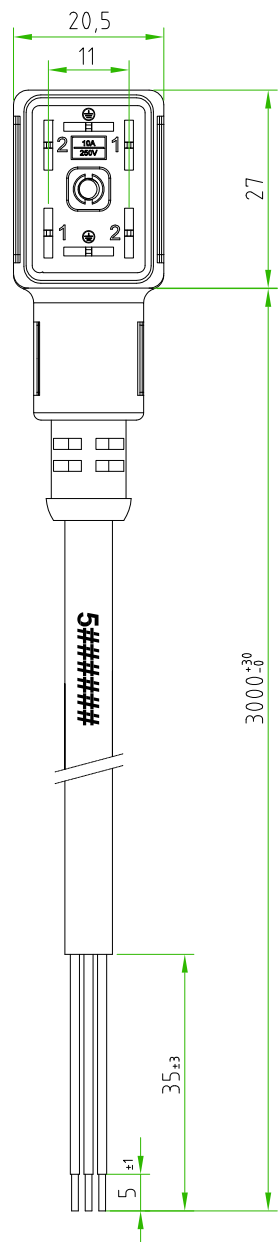


Rev.	Modify	Date	Signed	Approved

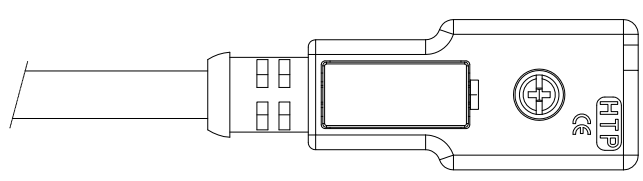
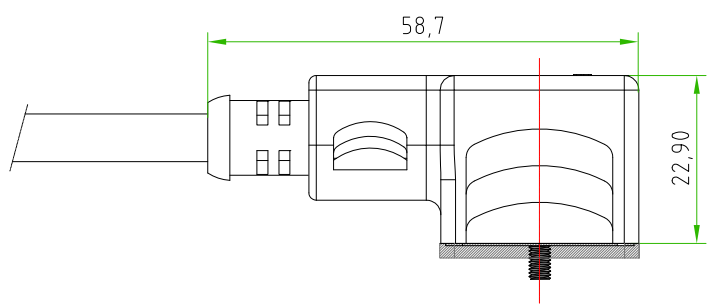
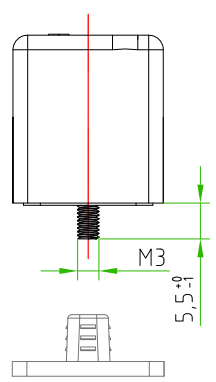


CONNECTOR FEATURES		PRODUCT TYPE	RECTANGULAR CONNECTOR EN175301-803 INDUSTRIAL STANDARD (TYPE B)
		CONNECTOR COLOUR	BLACK
		CONTACTS SPACING	11mm
		NUMBER OF CONTACTS	2POLES+2EARTHS
		EARTH POSITIONING	H.6-12
		CENTRAL FIXING SCREW	M3X0,5 L=25mm
		GASKET TYPE	INTEGRATED (NBR)
		PROTECTION CLASS	IP67
		CIRCUIT TYPE	WITHOUT ELECTRONIC
		RATED VOLTAGE	250V AC/300V DC
CABLE FEATURES		CONNECTOR WITH H.T.P. LOGO	
H.T.P. CABLE CODE	CAVO 04		
NUMBER OF CONDUCTORS	N°3		
CONDUCTORS SECTION	0,5mm ²		
CABLE MATERIAL	PVC CEI2022IIOR		
COATING COLOUR	GREY RAL7032		
CONDUCTORS INSULATION MATERIAL	PVC		
CABLE LENGHT	3000mm		
STRIPPING	35mm STANDARD		
PEELING AND TINNING	5mm STANDARD		
ON THE CABLE, NEAR THE CONNECTOR HEAD, MUST BE SILK PRINTED THE H.T.P. PRODUCTION DATE CODE 5#####			

CUSTOMER APPROVAL

SIGNATURE	DATE

PLEASE SIGN AND RETURN



A4

Designer	CIMMINO L.	Date	2015-07-08	Tolerance	±0.1	Units:	mm	Series	EN175301-803	Drawing n.
Approved	MAZZOLA M.	Date	2015-07-08	Scale	1:1	Size:	A4	Customer code:		

	DESCRIPTION	H.T.P. PART NUMBER
	RECTANGULAR CONNECTOR EN175301-803 INDUSTRIAL STANDARD (type-B), 2P.+P.E., 11mm, BLACK, WITHOUT ELECTRONIC, 250VAC/300V DC, CABLE PVC/PVC, CEI2022IIOR, 3G0.5mm ² , GREY COLOUR, L=3m. CONNECTOR WITH H.T.P. LOGO	CM1N02000C043