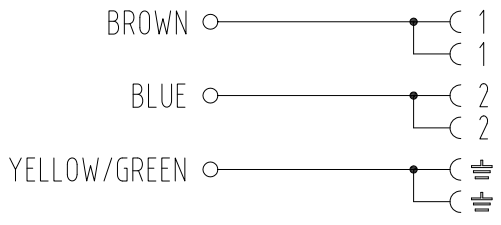
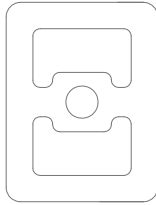
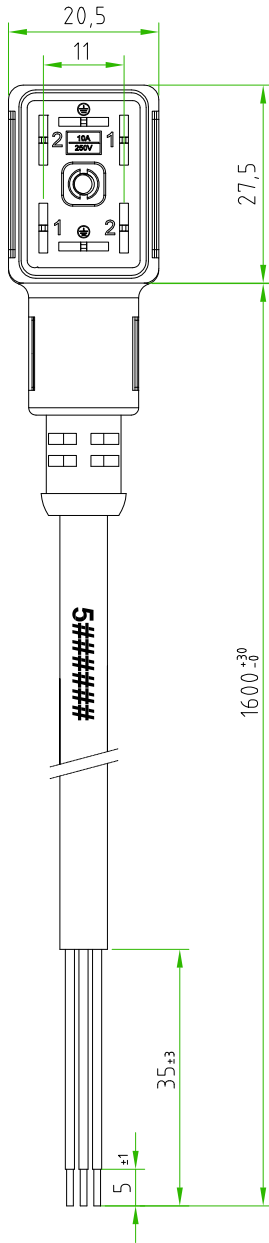


Rev.	Modify	Date	Signed	Approved
Rev.	Modify	Date	Signed	Approved
Rev.	Modify	Date	Signed	Approved
Rev.	Modify	Date	Signed	Approved

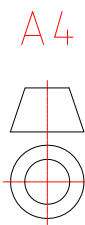
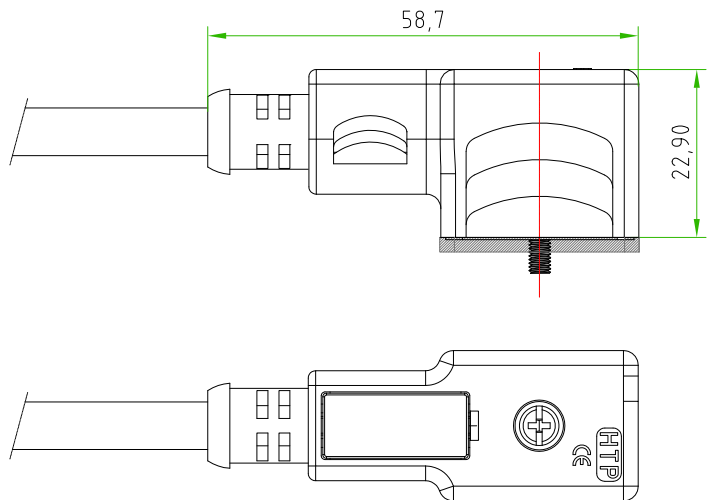
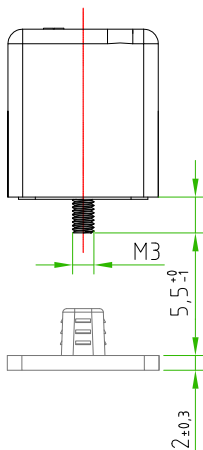


CONNECTOR FEATURES	
PRODUCT TYPE	RECTANGULAR CONNECTOR EN175301-803 INDUSTRIAL STANDARD (TYPE B)
CONNECTOR COLOUR	BLACK
CONTACTS SPACING	11mm
NUMBER OF CONTACTS	2POLES+2EARTHS
EARTH POSITIONING	H.6-12
CENTRAL FIXING SCREW	M3X0,5 L=25mm
GASKET TYPE	INTEGRATED (NBR)
PROTECTION CLASS	IP67
CIRCUIT TYPE	WITHOUT ELECTRONIC
RATED VOLTAGE	250V AC/300V DC
CONNECTOR WITH H.T.P. LOGO	
CABLE FEATURES	
H.T.P. CABLE CODE	CAVO 04
NUMBER OF CONDUCTORS	N°3
CONDUCTORS SECTION	0,5mm ²
CABLE MATERIAL	PVC CEI2022IIOR
COATING COLOUR	GREY RAL7032
CONDUCTORS INSULATION MATERIAL	PVC
CABLE LENGTH	1600mm
STRIPPING	35mm STANDARD
PEELING AND TINNING	5mm STANDARD
ON THE CABLE, NEAR THE CONNECTOR HEAD, MUST BE SILK PRINTED THE H.T.P. PRODUCTION DATE CODE 5#####	

CUSTOMER APPROVAL

SIGNATURE	DATE

PLEASE SIGN AND RETURN



Designer	SUGLIANI R.	Date	2020-03-24	Tolerance	±0.1	Units	mm	Series	INDUSTRIAL STANDARD	Drawing n.	1-1
Approved	CIMMINO L.	Date	2020-03-24	Scale	1:1	Size	A4	Customer code:			

	DESCRIPTION RECTANGULAR CONNECTOR EN175301-803 INDUSTRIAL STANDARD (type-B), 2P.+P.E., 11mm, BLACK, WITHOUT ELECTRONIC, 250VAC/300V DC, CABLE PVC/PVC, CEI2022IIOR, 3G0.5mm ² , GREY COLOUR, L=1,6m. CONNECTOR WITH H.T.P. LOGO	H.T.P. PART NUMBER CM1N02000C041F
--	--	---