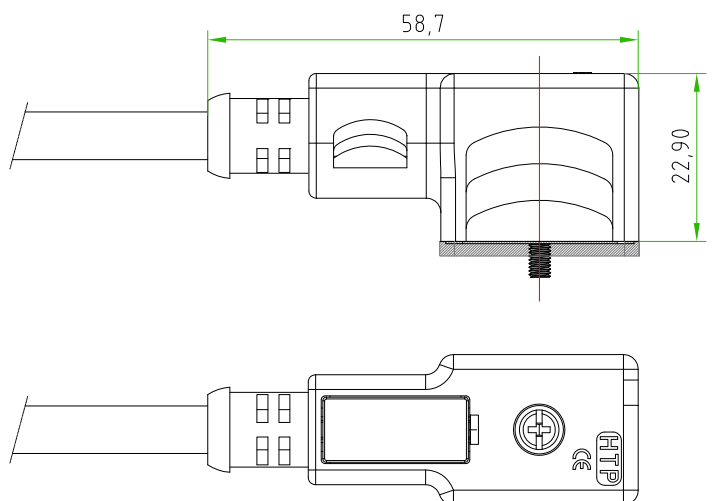
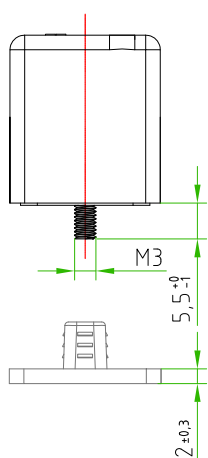


CONNECTOR FEATURES	
PRODUCT TYPE	RECTANGULAR CONNECTOR INDUSTRIAL STANDARD (TYPE B)
CONNECTOR COLOUR	BLACK
CONTACTS SPACING	11mm
NUMBER OF CONTACTS	2POLES+2EARTHS
EARTH POSITIONING	H.6-12
CENTRAL FIXING SCREW	M3X0,5 L=25mm
GASKET TYPE	INTEGRATED (NBR)
PROTECTION CLASS	IP67
CIRCUIT TYPE	WITHOUT ELECTRONIC
RATED VOLTAGE	250V AC/300V DC
CONNECTOR WITH H.T.P. LOGO	
CABLE FEATURES	
H.T.P. CABLE CODE	CAVO 03
NUMBER OF CONDUCTORS	N°3
CONDUCTORS SECTION	0,75mm ²
CABLE MATERIAL	PVC CEI2022IIOR
COATING COLOUR	GREY RAL7032
CONDUCTORS INSULATION MATERIAL	PVC
CABLE LENGHT	2000mm
STRIPPING	35mm STANDARD
PEELING AND TINNING	5mm STANDARD

ON THE CABLE, NEAR THE CONNECTOR HEAD, MUST BE SILK PRINTED THE H.T.P. PRODUCTION DATE CODE 5#####



CUSTOMER APPROVAL

SIGNATURE	DATE
-----------	------

PLEASE SIGN AND RETURN

Rev.	Modify	Date	Signed	Approved
Rev.	Modify	Date	Signed	Approved
Rev.	Modify	Date	Signed	Approved

Designer	CIMMINO L.	Date	2016-03-15	Tolerance	±0.3	Units:	mm	Series	INDUSTRIAL STANDARD	Drawing n.
Approved	MAZZOLA M.	Date	2016-03-15	Scale	1:1	Size:	A4	Customer code:		

HTP
HIGH TECH PRODUCTS S.R.L.

DESCRIPTION
RECTANGULAR CONNECTOR INDUSTRIAL STANDARD (type-B), 2P.+P.E., 11mm, BLACK, WITHOUT ELECTRONIC, 250V AC/300V DC, WITH CABLE PVC/PVC, CEI2022IIOR, 3G0.75mm², GREY COLOUR, L=2m. CONNECTOR WITH H.T.P. LOGO

H.T.P. PART NUMBER
CM1N02000C032

A4

