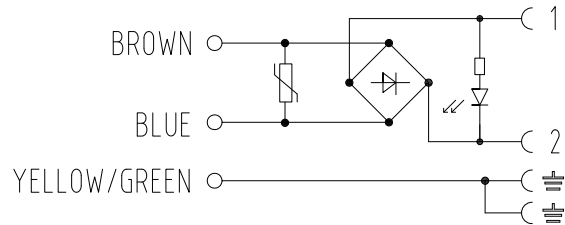
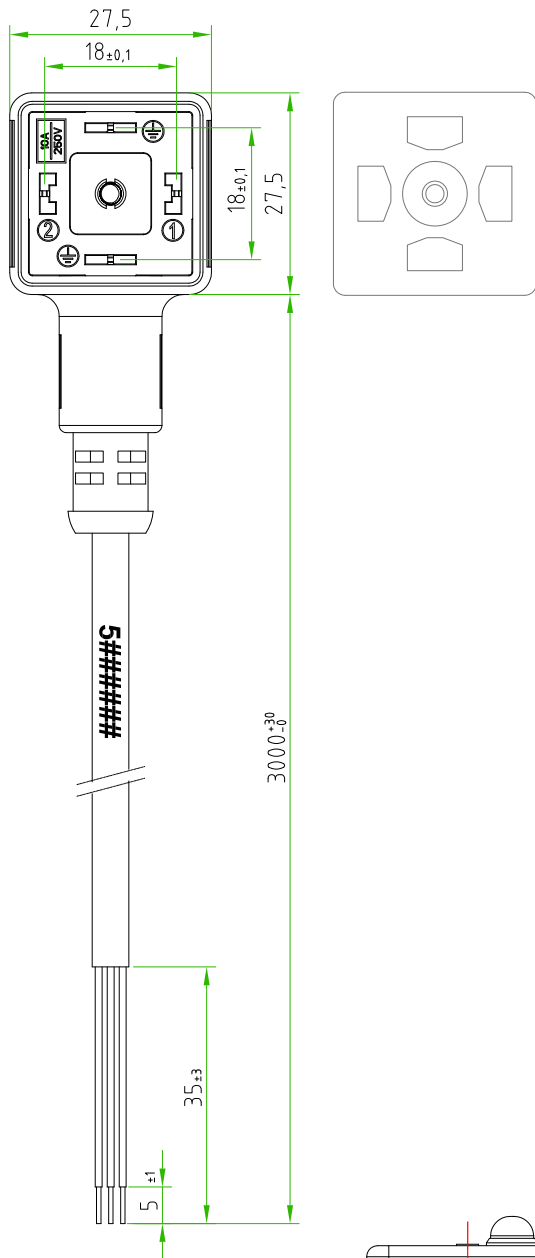


Rev.	Modify	Date	Signed	Approved
Rev.	Modify	Date	Signed	Approved
Rev.	Modify	Date	Signed	Approved
Rev.	Modify	Date	Signed	Approved

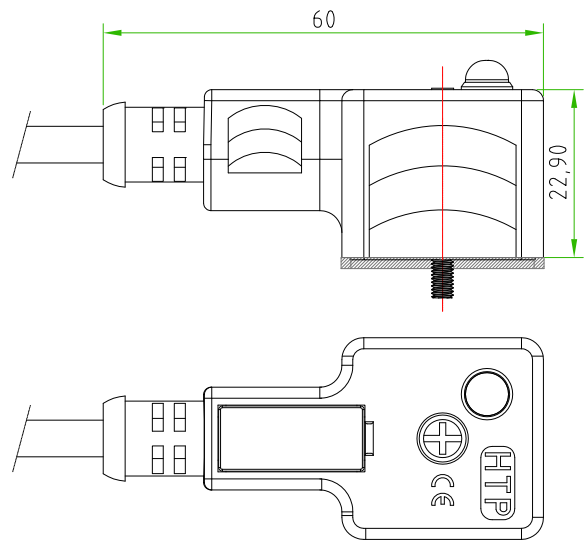
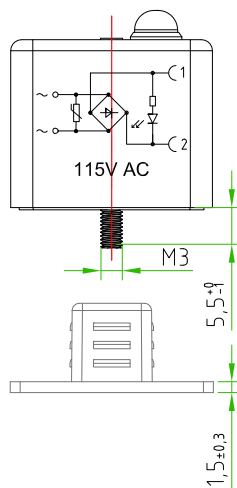


CONNECTOR FEATURES	PRODUCT TYPE	SQUARE CONNECTOR EN175301-803 INDUSTRY STANDARD FORM A (EXDIN43650-A)
	CONNECTOR COLOUR	BLACK
	CONTACTS SPACING	18mm
	NUMBER OF CONTACTS	2POLES+2EARTHS
	EARTH POSITIONING	H.6-12
	CENTRAL FIXING SCREW	M3X0,5 L=25mm
	GASKET TYPE	INTEGRATED NBR
	PROTECTION CLASS	IP67(EN60529)
	CIRCUIT TYPE	BRIDGE RECTIFIER+RED LED+VARISTOR
	RATED VOLTAGE	115V AC
CONNECTOR WITH H.T.P.LOGO		
CABLE FEATURES	H.T.P.CABLE CODE	CAVO 32
	NUMBER OF CONDUCTORS	N°3
	CONDUCTORS SECTION	1mm <sup>2</sup>
	CABLE MATERIAL	PVC IEC332-1 H05VVF
	COATING COLOUR	BLACK
	CONDUCTORS INSULATION MATERIAL	PVC
	CABLE LENGHT	3000mm
	STRIPPING	35mm STANDARD
PEELING AND TINNING	5mm STANDARD	
ON THE CABLE, NEAR THE CONNECTOR HEAD, MUST BE SILK PRINTED THE H.T.P. PRODUCTION DATE CODE 5#####		

CUSTOMER APPROVAL

SIGNATURE	DATE

PLEASE SIGN AND RETURN



Designer	SUGLIANI R.	Date	2017-02-15	Tolerance	±0.3	Units:	mm	Series	EN175301-803	Drawing n.	1-1
Approved	CIMMINO L.	Date	2017-02-15	Scale	1:1	Size:	A4	Customer code:			



DESCRIPTION

SQUARE CONNECTOR EN175301-803(type-A), 2P.+P.E., BLACK, BRIDGE RECTIFIER+, RED LED+VARISTOR, 115V, WITH CABLE PVC/PVC, IEC332-1 H05VVF 3G1mm<sup>2</sup>, BLACK COLOUR, L=3m. CONNECTOR WITH H.T.P.LOGO

H.T.P.PART NUMBER

CG1N02RL2C323