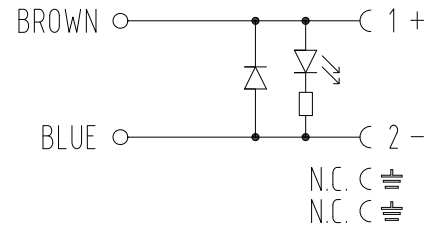
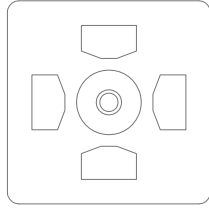
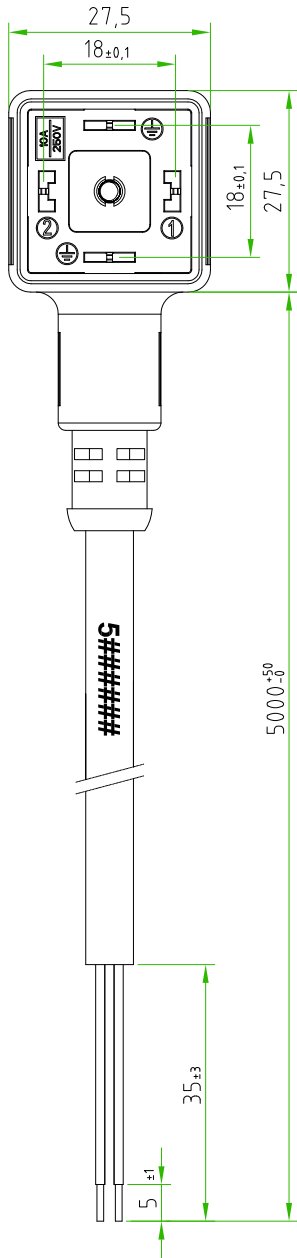
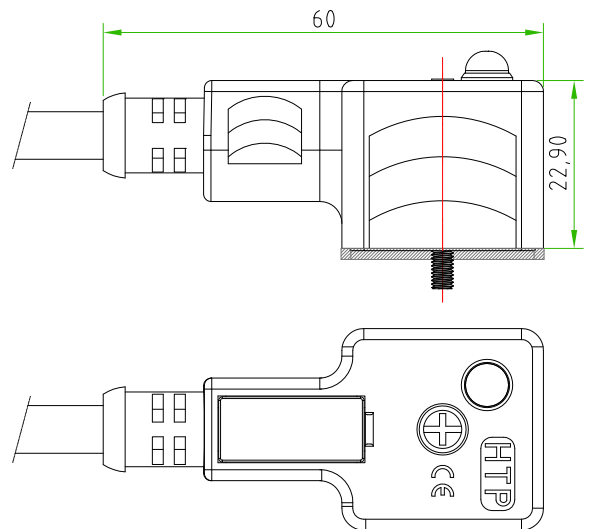
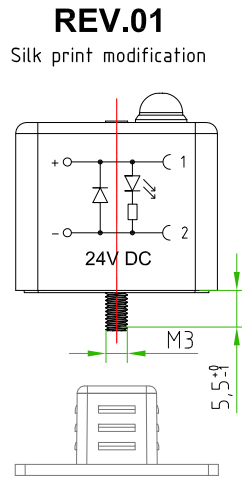


Rev.	01	Modify	-	Date	2017.02.27	Signed	SUGLIANI	Approved	CIMMINO
Rev.		Modify		Date		Signed		Approved	
Rev.		Modify		Date		Signed		Approved	



CONNECTOR FEATURES	
PRODUCT TYPE	SQUARE CONNECTOR EN175301-803(type-A)
CONNECTOR COLOUR	BLACK
CONTACTS SPACING	18mm
NUMBER OF CONTACTS	2POLES+2EARTHS
EARTH POSITIONING	H.6-12 NOT CONNECTED
CENTRAL FIXING SCREW	M3X0,5 L=25mm
GASKET TYPE	INTEGRATED (NBR)
PROTECTION CLASS	IP67
CIRCUIT TYPE	RED LED+DIODE(1A)
RATED VOLTAGE	24V DC
CONNECTOR WITH H.T.P.LOGO	
CABLE FEATURES	
H.T.P.CABLE CODE	CAVO 13
NUMBER OF CONDUCTORS	N°2
CONDUCTORS SECTION	1mm ²
CABLE MATERIAL	PVC IEC332-1 H05VVF
COATING COLOUR	BLACK
CONDUCTORS INSULATION MATERIAL	PVC
CABLE LENGHT	5000mm
STRIPPING	35mm STANDARD
PEELING AND TINNING	5mm STANDARD
ON THE CABLE, NEAR THE CONNECTOR HEAD, MUST BE SILK PRINTED THE H.T.P. PRODUCTION DATE CODE 5#####	



CUSTOMER APPROVAL

SIGNATURE	DATE

PLEASE SIGN AND RETURN

Designer	CIMMINO L.	Date	2015-07-16	Tolerance	±0.3	Units:	mm	Series	EN175301-803	Drawing n. 1-1
Approved	MAZZOLA M.	Date	2015-07-16	Scale	1:1	Size:	A4	Customer code:		



DESCRIPTION
SQUARE CONNECTOR EN175301-803(type-A), 2P.+P.E., BLACK, WITH RED LED +DIODE, 24V, WITH CABLE PVC/PVC, IEC332-1 H05VVF, 2x1mm², BLACK, L=5m
CONNECTOR WITH H.T.P.LOGO

H.T.P.PART NUMBER

CG1N02DL1C135

