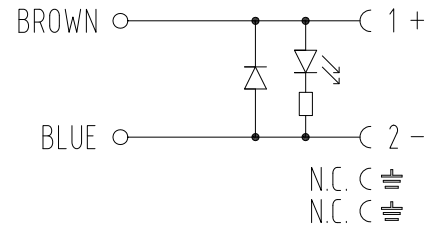
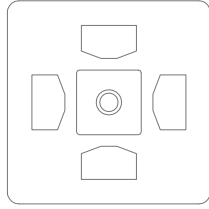
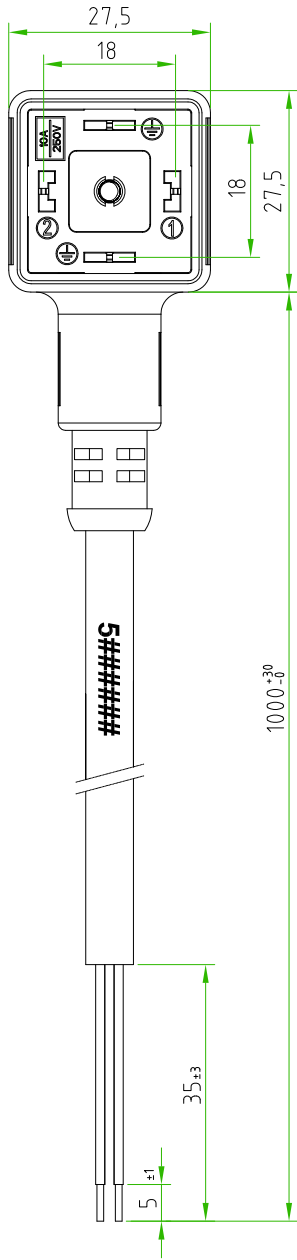
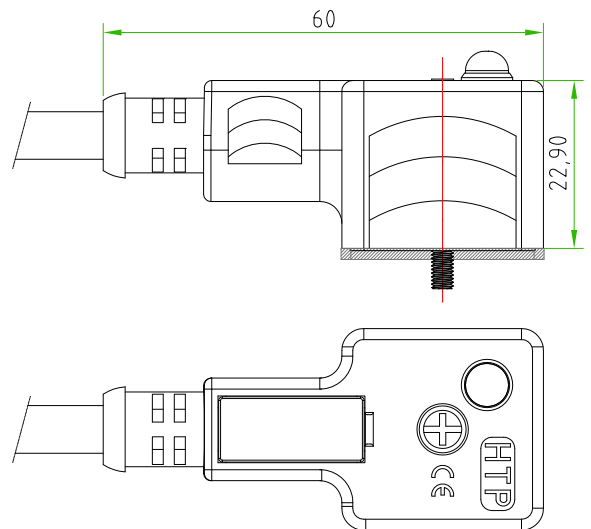
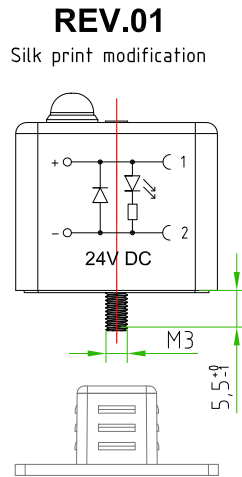


| | | | | | | | | | |
|------|----|--------|---|------|------------|--------|----------|----------|---------|
| Rev. | 01 | Modify | - | Date | 2017.02.27 | Signed | SUGLIANI | Approved | CIMMINO |
| Rev. | | Modify | | Date | | Signed | | Approved | |
| Rev. | | Modify | | Date | | Signed | | Approved | |



| CONNECTOR FEATURES | |
|--|---------------------------------------|
| PRODUCT TYPE | SQUARE CONNECTOR EN175301-803(type-A) |
| CONNECTOR COLOUR | BLACK |
| CONTACTS SPACING | 18mm |
| NUMBER OF CONTACTS | 2POLES+2EARTHS |
| EARTH POSITIONING | H.6-12 NOT CONNECTED |
| CENTRAL FIXING SCREW | M3X0,5 L=25mm |
| GASKET TYPE | INTEGRATED (NBR) |
| PROTECTION CLASS | IP67 |
| CIRCUIT TYPE | RED LED+DIODE(1A) |
| RATED VOLTAGE | 24V DC |
| CONNECTOR WITH H.T.P.LOGO | |
| CABLE FEATURES | |
| H.T.P.CABLE CODE | CAVO 13 |
| NUMBER OF CONDUCTORS | N°2 |
| CONDUCTORS SECTION | 1mm ² |
| CABLE MATERIAL | PVC IEC332-1 H05VVF |
| COATING COLOUR | BLACK |
| CONDUCTORS INSULATION MATERIAL | PVC |
| CABLE LENGHT | 1000mm |
| STRIPPING | 35mm STANDARD |
| PEELING AND TINNING | 5mm STANDARD |
| ON THE CABLE, NEAR THE CONNECTOR HEAD, MUST BE SILK PRINTED THE H.T.P. PRODUCTION DATE CODE 5##### | |



CUSTOMER APPROVAL

| | |
|-----------|------|
| SIGNATURE | DATE |
| | |

PLEASE SIGN AND RETURN

| | | | | | | | | | | |
|----------|------------|------|------------|-----------|------|--------|----|----------------|--------------|-------------------|
| Designer | CIMMINO L. | Date | 2015-07-16 | Tolerance | ±0.1 | Units: | mm | Series | EN175301-803 | Drawing n. 1-1 |
| Approved | MAZZOLA M. | Date | 2015-07-16 | Scale | 1:1 | Size: | A4 | Customer code: | | |

| | | |
|--|---|-------------------|
| | DESCRIPTION | H.T.P.PART NUMBER |
| | SQUARE CONNECTOR EN175301-803(type-A), 2P.+P.E., BLACK, WITH RED LED +DIODE, 24V, WITH CABLE PVC/PVC, IEC332-1 H05VVF, 2x1mm ² , BLACK, L=1m CONNECTOR WITH H.T.P.LOGO | CG1N02DL1C131 |