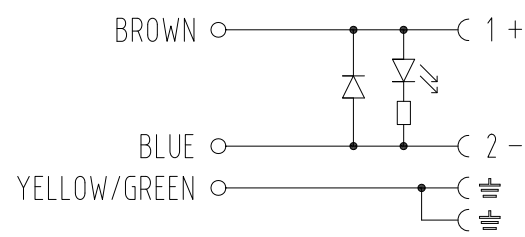
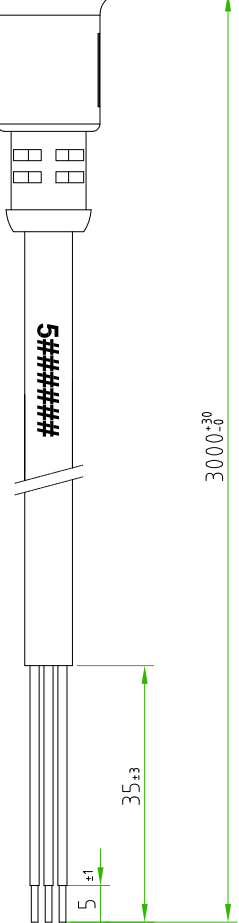
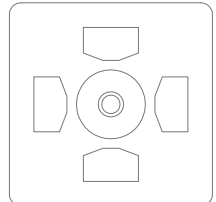
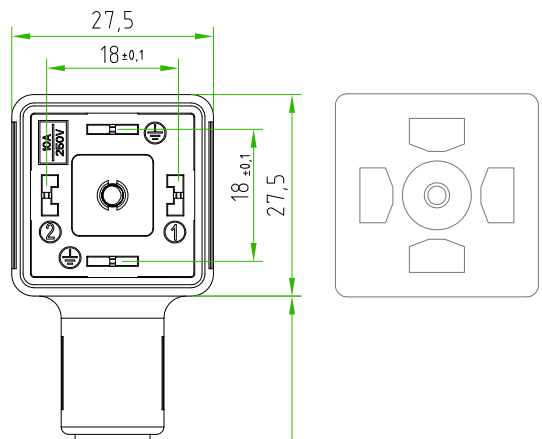
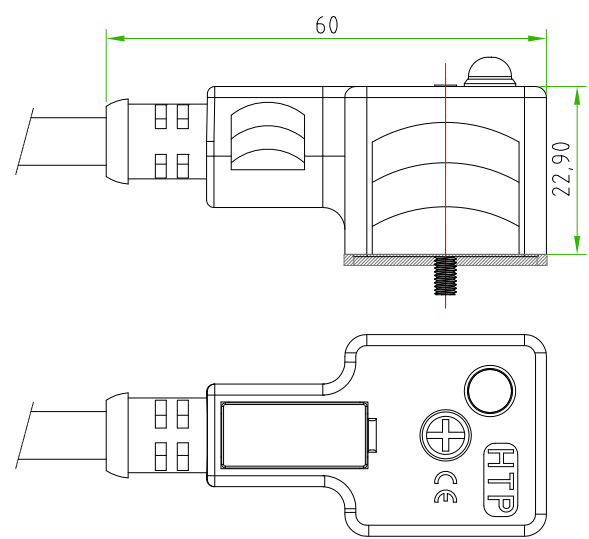
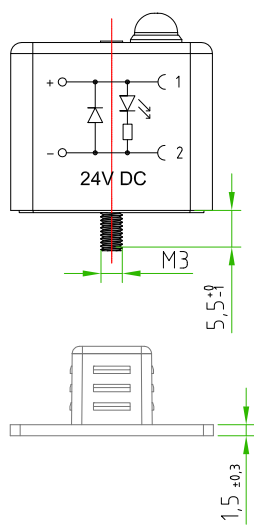


Rev.	Modify	Date	Signed	Approved



CONNECTOR FEATURES		PRODUCT TYPE	SQUARE CONNECTOR EN175301-803(type-A)
		CONNECTOR COLOUR	BLACK
		CONTACTS SPACING	18mm
		NUMBER OF CONTACTS	2POLES+2EARTHS
		EARTH POSITIONING	H.6-12
		CENTRAL FIXING SCREW	M3X0,5 L=25mm
		GASKET TYPE	INTEGRATED (NBR)
		PROTECTION CLASS	IP67
		CIRCUIT TYPE	RED LED+DIODE(1A)
		RATED VOLTAGE	24V DC
CABLE FEATURES		CONNECTOR WITH H.T.P.LOGO	
		H.T.P.CABLE CODE	CAVO 11
		NUMBER OF CONDUCTORS	N°3
		CONDUCTORS SECTION	0,75mm ²
		CABLE MATERIAL	PUR Li-YY11Y HALOGEN FREE
		COATING COLOUR	BLACK
		CONDUCTORS INSULATION MATERIAL	PUR
		CABLE LENGTH	3000mm
		STRIPPING	35mm STANDARD
		PEELING AND TINNING	5mm STANDARD
ON THE CABLE, NEAR THE CONNECTOR HEAD, MUST BE SILK PRINTED THE H.T.P. PRODUCTION DATE CODE 5#####			



CUSTOMER APPROVAL

SIGNATURE	DATE

PLEASE SIGN AND RETURN

Designer	CIMMINO L.	Date	2020-06-11	Tolerance	±0.3	Units:	mm	Series	EN175301-803	Drawing n.	1-1
Approved	SUGLIANI R.	Date	2020-06-11	Scale	1:1	Size:	A4	Customer code:			
DESCRIPTION SQUARE CONNECTOR EN175301-803(type-A),2P.+P.E.,BLACK,WITH RED LED +DIODE(1A),24V DC,WITH CABLE PUR/PUR,LI-YY11Y,3G1mm ² ,BLACK COLOUR, HALOGEN FREE,L=3m CONNECTOR WITH H.T.P.LOGO										H.T.P.PART NUMBER CG1N02DL1C113	

