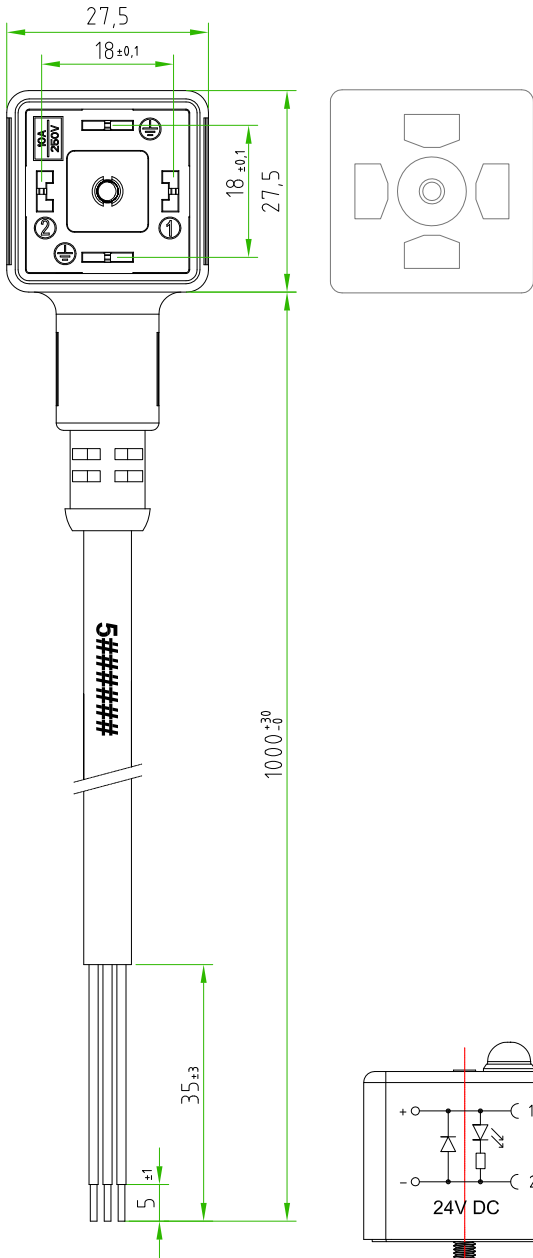
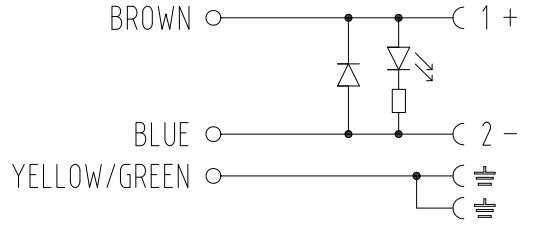


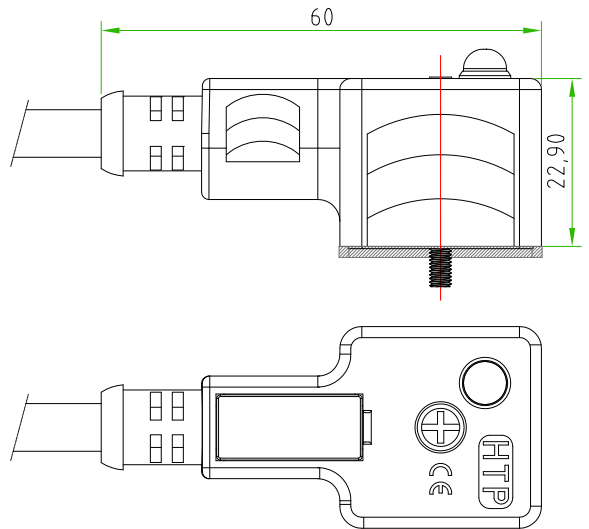
Rev.	Modify	Date	Signed	Approved



<i>CUSTOMER APPROVAL</i>	
<i>SIGNATURE</i>	<i>DATE</i>
<i>PLEASE SIGN AND RETURN</i>	



CONNECTOR FEATURES	PRODUCT TYPE	SQUARE CONNECTOR EN175301-803(type-A)
	CONNECTOR COLOUR	BLACK
	CONTACTS SPACING	18mm
	NUMBER OF CONTACTS	2POLES+2EARTHS
	EARTH POSITIONING	H.6-12
	CENTRAL FIXING SCREW	M3X0,5 L=25mm
	GASKET TYPE	INTEGRATED (NBR)
	PROTECTION CLASS	IP67
	CIRCUIT TYPE	RED LED+DIODE(1A)
	RATED VOLTAGE	24V DC
CONNECTOR WITH H.T.P.LOGO		
CABLE FEATURES	H.T.P.CABLE CODE	CAVO 04
	NUMBER OF CONDUCTORS	N°3
	CONDUCTORS SECTION	0,5mm <sup>2</sup>
	CABLE MATERIAL	PVC CEI2022110R
	COATING COLOUR	GREY RAL7032
	CONDUCTORS INSULATION MATERIAL	PVC
	CABLE LENGHT	1000mm
	STRIPPING	35mm STANDARD
	PEELING AND TINNING	5mm STANDARD
	ON THE CABLE, NEAR THE CONNECTOR HEAD, MUST BE SILK PRINTED THE H.T.P. PRODUCTION DATE CODE 5#####	



A4

Designer	SUGLIANI R.	Date	2021-09-14	Tolerance	±0.3	Units:	mm	Series	EN175301-803	Drawing n. 1-1
Approved	CIMMINO L.	Date	2021-09-14	Scale	1:1	Size:	A4	Customer code:		



**DESCRIPTION**  
 SQUARE CONNECTOR EN175301-803(type-A), 2P.+P.E., BLACK, WITH RED LED +DIODE(1A), 24V DC, WITH CABLE PVC/PVC, CEI2022110R, 3G0, 5mm<sup>2</sup>, GREY COLOUR, L=1m CONNECTOR WITH H.T.P.LOGO

**H.T.P.PART NUMBER**

CG1N02DL1C041