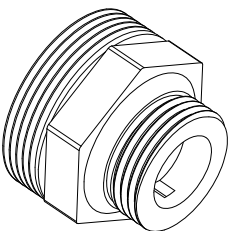
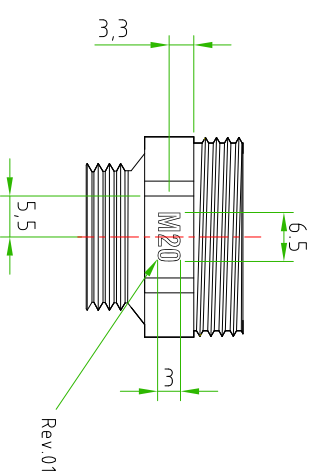
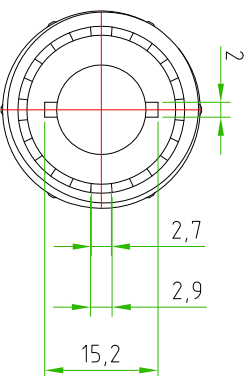
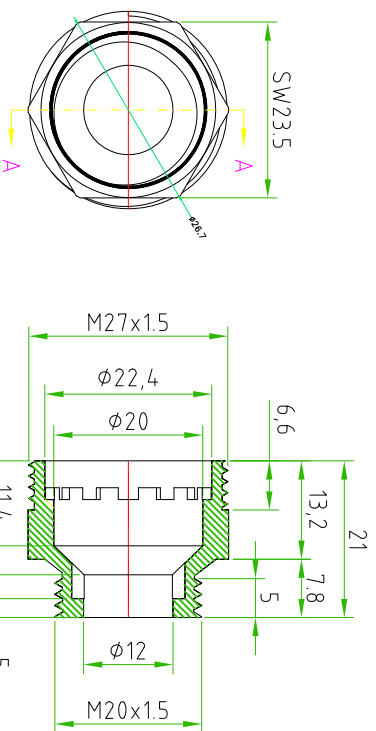


DATE	REV.	DESCRIPTION	NAME
17-11-2010	01	Added on the reduction: "M20"	MARCO MAZZOLINI

PRODUCT TYPE: REDUCTION FOR CIRCULAR BASE  
 FIXING NUT: M27X1,5  
 REDUCTION THREAD: M20  
 MATERIAL: PA66  
 PROTECTION CLASS: IP65  
 TEMPERATURE RANGE: -25°C TO +70°C



TOLLERANZE		DISEGNATORE		DATA		SCALA		PESO	
UDM	ANGOLI	MARCO MAZZOLINI	CONTROLLO	09-12-10		1 : 1			
DESCRIZIONE				Type		MATERIALE			
REDUCTION M20 FOR CIRCULAR BASE				DIN43650-A					
				H.T.P. series		BGR-M20			