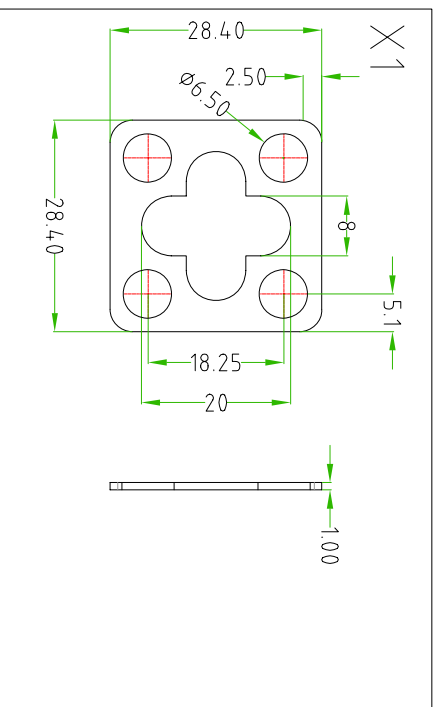
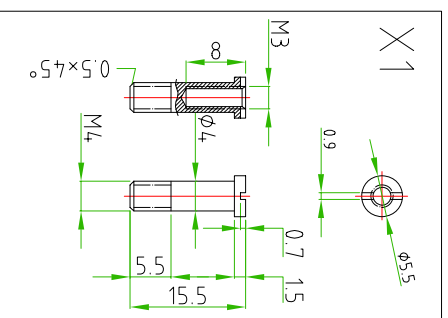
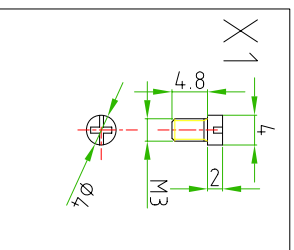
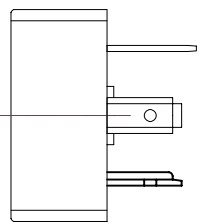

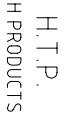



HOLES FOR THE PASSAGE OF SOLDERED WIRES



BASE FEATURES	
PRODUCT TYPE	SQUARE BASE BG8
CONTACTS SPACING	18mm
NUMBER OF CONTACTS	3POLES+EARTH
CONTACT MATERIAL AND TREATMENT	PCuZn SILVER PLATED
CONTACT TYPE	SOLDERED
MATERIAL BASE	PA66
COLOR BASE	BLACK
PROTECTION CLASS	IP65
NUMBER OF FIXING HOLES	N°1
NUMBER OF CROSS HEADED SCREWS MAXX15.5 USED FOR THE FIXING HOLES	N°1
NUMBER OF CROSS HEADED SCREW MAXX4.8 USED FOR EARTH PIN	N°1
FLAT GASKET	NBR
SQUARE BASE FOR MOUNTING ON THE CYLINDER Ø80mm	



TOLLERANZE		DISIGNATORE		DATA		SCALA		DISIGNO N.	
UDM	ANGOLO	LORENZO CARMINO	CONTROLATO	31.01.11		1:1			
DESCRIZIONE		TIPO		MATERIALE					
SQUARE BASE 28,4X28,4 FOR DIN43650/A, 18mm, 3POLES+E, BLACK BASE FOR MOUNTING ON THE CYLINDER Ø80mm.		BG8							
 HTP HIGH TECH PRODUCTS		 H.T.P.		 HTP		BG8N03000			