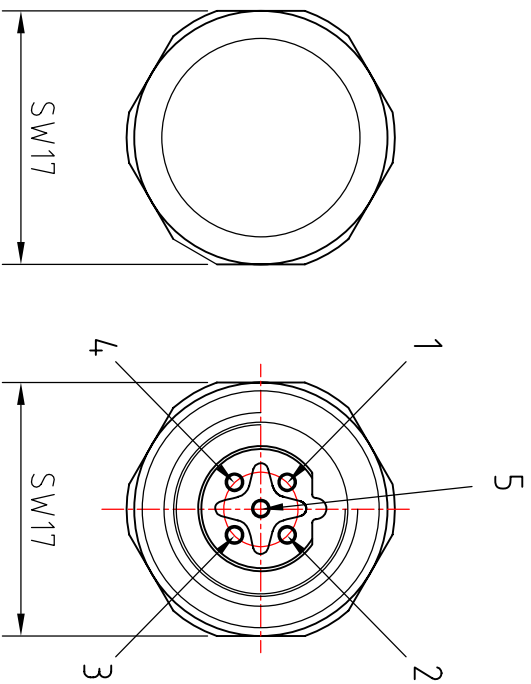
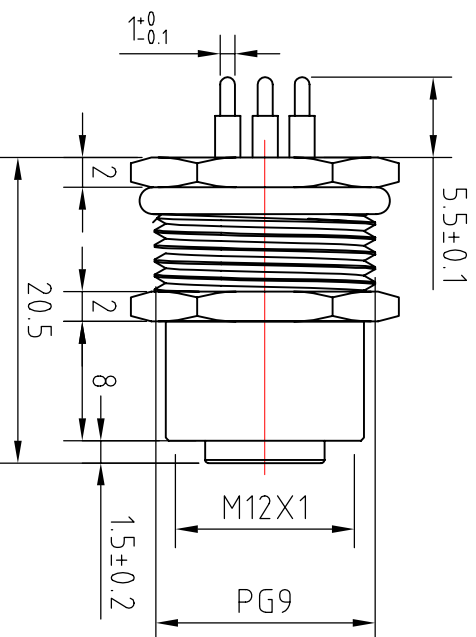


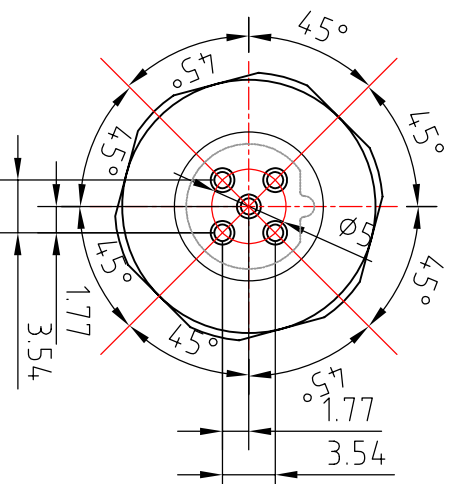
Frontal view



Lateral view



Back view



| CONNECTOR FEATURES           |                      |
|------------------------------|----------------------|
| CONNECTOR TYPE               | M12 TO PANEL B-CODED |
| MOUNTING TYPE                | BACK                 |
| CONTACT TYPE                 | FEMALE               |
| NUMBER OF CONTACTS CONNECTED | n°5                  |
| HOUSING MATERIAL             | METAL (CuZn/Ni)      |
| THREAD                       | PG9                  |
| SWITCH FIXED NUT             | SW17                 |
| CONTACT TYPE                 | SOLDERED FOR PCB     |
| CONTACT LENGTH               | 5,5mm ±0.1           |

|             |        |   |          |                 |            |
|-------------|--------|---|----------|-----------------|------------|
| TOLLERANZE  | ±0.2   | DISEGNATORE   | DATA     | SCALE           | DISEGNO N. |
| UDM         | ANGOLO | LORENZO CHINNO<br>CONTROLLATO                                 | 12.11.09 | 2:1             |            |
| DESCRIZIONE |        | M12 B-CODED FEMALE PANEL 5 POLES<br>BACK MOUNTING PG9 FOR PCB |          | TR0             | M12        |
| MATERIALE   |        | HTP HIGH TECH PRODUCTS  |          |                 |            |
| HTP         |        | H.T.P.  |          | B-12FSS5000-PG9 |            |