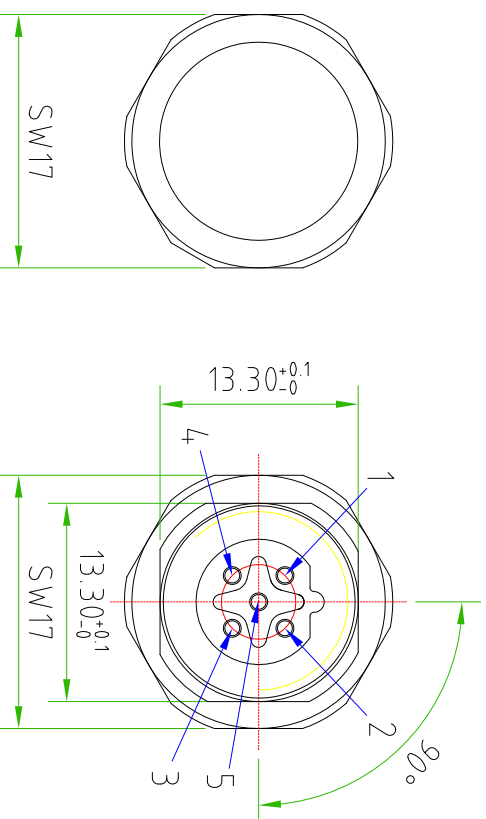


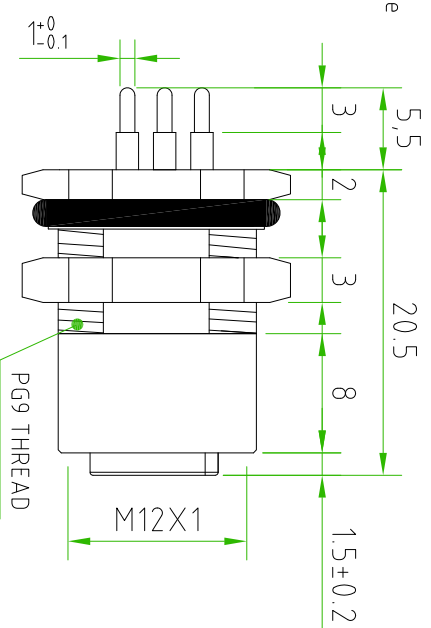
FRONTAL VIEW



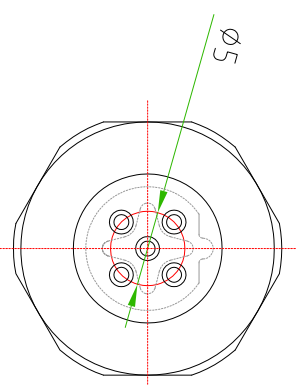
PAY ATTENTION to the **DOUBLE CUT** of the thread and the positioning of the internal core



LATERAL VIEW

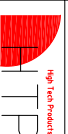


BACK VIEW



CONNECTOR FEATURES	
CONNECTOR TYPE	M12 TO PANEL B-CODED
MOUNTING TYPE	BACK
CONTACT TYPE	FEMALE
NUMBER OF CONTACTS CONNECTED	n°5
HOUSING MATERIAL	BRASS+NICKEL PLATED (CuZnNi)
FIXING THREAD	PG9
SWITCH FIXED NUT	SW17
CONTACT TYPE	PCB SOLDERED CONTACTS
CONTACT LENGTH	5,5mm ±0,1
SIZE CUT (X2)	13,3mm +0,1/-0
RATED VOLTAGE	60V AC/DC
RATED CURRENT	4A

TOLERANCE	± 0,2	DESIGNATORE	LORENZO CIMMINO	DATA	18.09.12	SCALE	2:1	DESIGNO.N.
UDM	ANGOLO	COORDINATE	MARCO MAZZOLINI					
DESCRIZIONE								
M12 FEMALE PANEL 5 POLES B-CODED								
BACK MOUNTING PG9 WITH DOUBLE CUT								
						TRPO	M12	MATERIALE
						CONF	B-12FS5000-PG9-2CUT	



H.T.P.
HIGH TECH PRODUCTS