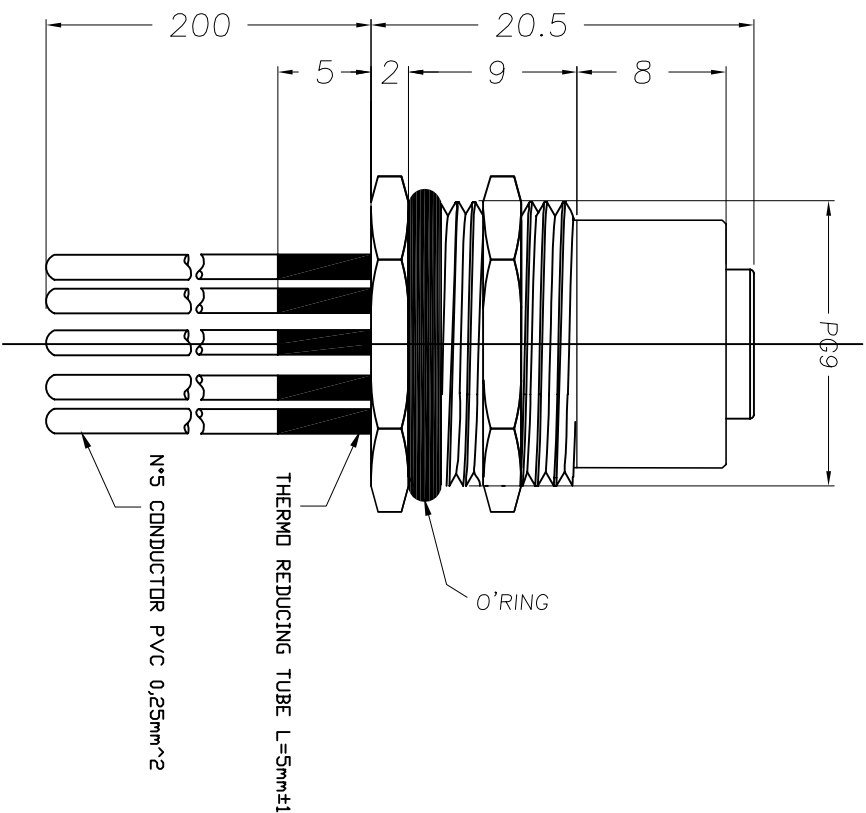
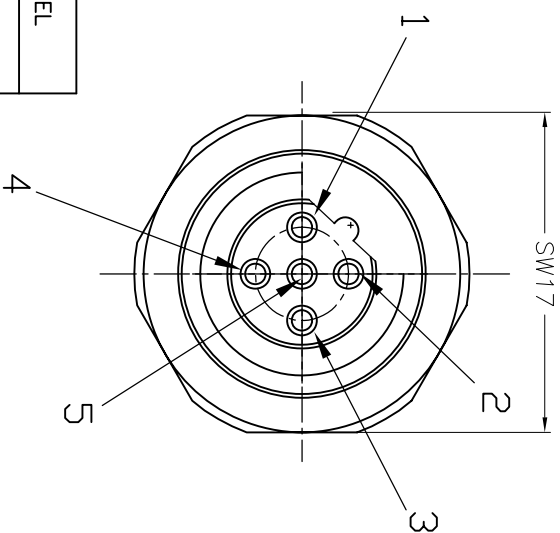


- BROWN ————— C 1
- WHITE ————— C 2
- BLUE ————— C 3
- BLACK ————— C 4
- GREY ————— C 5



CONNECTOR FEATURES

TYPE CONNECTOR	M12 TO PANEL
TYPE MOUNTING	BACK
TYPE CONTACT	FEMALE
NUMBER OF CONTACTS CONNECTED	n°5
HOUSING METIERAL	METAL (CuZn/Ni)
THREAD	PG9
SWITCH FIXED NUT	SW17
CONNECTOR B-CODED	
CONDUCTOR METIERAL	PVC
CONDUCTOR LENGHT	200mm
CONDUCTOR SECTION	0.25mm
N°CONDUCTORS	5
THERMO REDUCING TUBE	YES L=5mm±1

TOLLERANZE		DISSEGNAZIONE	DATA	SCALA	DISSEGNO N.
UDM	ANGOLO	LORENZO CIMMINO	05.02.08	1:1	
DESCRIZIONE		M12 FEMALE PANEL 5 POLES FRONTAL MOUNTING B-CODED PG9 WITH N°5 WIRES PVC 0.25mm ² , L=200mm		TIPO	MATERIALE
				M12	
High Tech Products		H.T.P.		CODICE	
H.T.P.		HIGH TECH PRODUCTS		B-12FR5A0B-PG9	