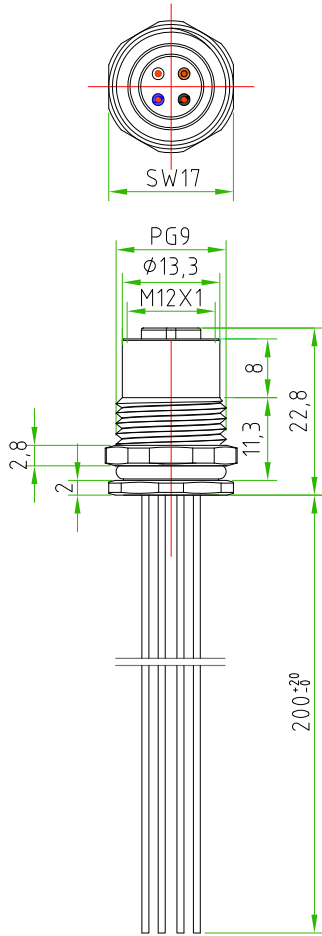


Rev.				
Modify				
Date				
Signed				
Approved				

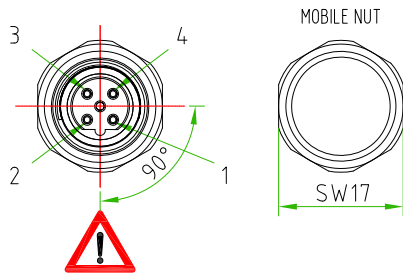
Rev.				
Modify				
Date				
Signed				
Approved				

Rev.				
Modify				
Date				
Signed				
Approved				

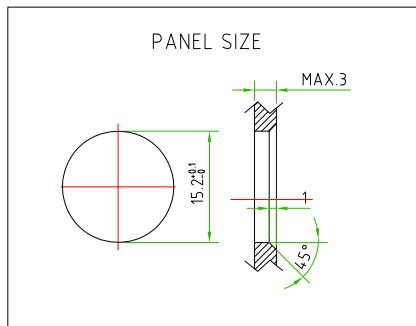


- BROWN ○ ————— C 1
- WHITE ○ ————— C 2
- BLUE ○ ————— C 3
- BLACK ○ ————— C 4

CONNECTOR FEATURES	
PRODUCT TYPE	M12 CIRCULAR CONNECTOR B-CODED TO PANEL WITH WIRES.
TYPE MOUNTING	BACK MOUNTING
CONTACTS TYPE	FEMALE 4POLES
NUMBER OF CONTACTS CONNECTED	N°4
HOUSING MATERIAL	BRASS+NICKEL PLATED
O-RING MATERIAL	NBR
FIXING THREAD	PG9
SIZE FIXED NUT(SW)	SW17
SIZE MOBILE NUT(SW)	SW17
PROTECTION CLASS	IP67
RATED VOLTAGE	250V AC/DC
RATED CURRENT	4A
CONNECTOR WITHOUT ANY LOGO	
WIRES FEATURES	
NUMBER OF CONDUCTORS	N°4
CONDUCTORS SECTION	0,25mm ²
CONDUCTORS INSULATION MATERIAL	PVC
CONDUCTORS LENGHT	200mm



PAY ATTENTION to the position of the polarization key towards the exagonal fixing nut.



<i>CUSTOMER APPROVAL</i>	
<i>SIGNATURE</i>	<i>DATE</i>
<i>PLEASE SIGN AND RETURN</i>	

Designer	CIMMINO L.	Date	2019-07-05	Tolerance	±0.3	Units:	mm	Series	M12	Drawing n. 1-1
Approved	SUGLIANI R.	Date	2019-07-05	Scale	1:1	Size:	A4	Customer code:		

DESCRIPTION
 CIRCULAR CONNECTOR M12 B-CODED, FEMALE, TO PANEL, 4POLES, BACK MOUNTING, PG9 THREAD, WITH N°4 WIRES PVC 0,25mm² L=200mm .
 CONNECTOR WITHOUT ANY LOGO

H.T.P.PART NUMBER

B-12FR4A0B-PG9

A4

