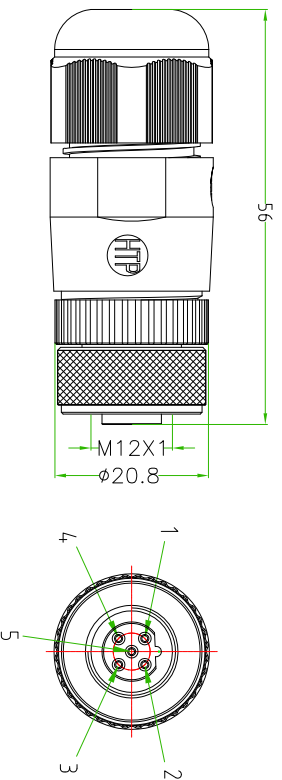
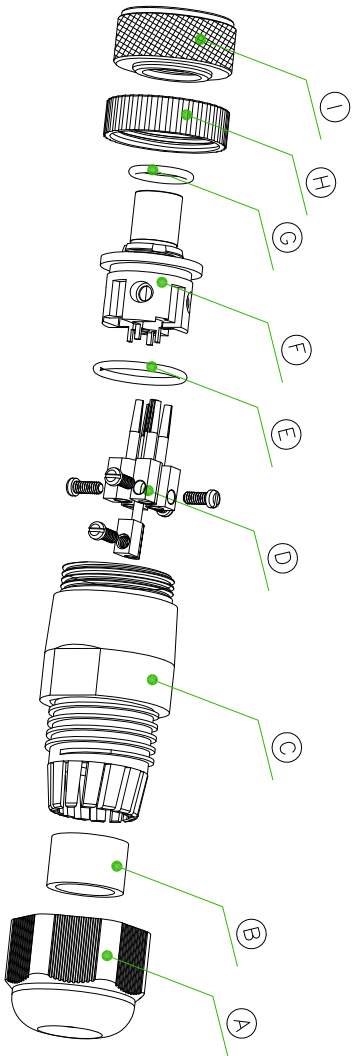


- C 1
- C 2
- C 3
- C 4
- C 5



CONNECTOR FEATURES	
PRODUCT TYPE	M12 FIELD ATTACHABLE B-CODED
CONTACT TYPE	FEMALE
NUMBER OF CONTACTS	SPOLES
HOUSING MATERIAL	PA66
HOUSING TYPE	180°
HOUSING COLOUR	BLACK
RATED VOLTAGE	60V AC/DC
EXIT CABLE	FROM 4.4mm TO 9mm
RATED CURRENT	4A
COUPLING NUT MATERIAL	BRASS+NICKEL PLATED (CuZnNi)
O-RING	NBR
PROTECTION CLASS	IP67
CONNECTOR WITH H.T.P LOGO	

A	PRESS CABLE SREW
B	GASKET PRESS-CABLE SEAL
C	HOUSING BLACK
D	SCREW CONTACT GOLD PLATED
E	O-RING
F	INTERNAL CORE M12 B-CODED
G	O-RING
H	PLASTIC NUT FOR HOUSING
I	M12 NUT CUZNI

TOLERANCE	±0.2	DISIGNATORE	DATA	SCALA	REF. CLIENTE
UDM	ANGOLO	LORENZO CHINNO CONTROLLATO	30.09.13	1:1	
DESCRIZIONE		M12 CONNECTOR FEMALE B-CODED. 180° SPOLES FIELD ATTACHABLE. EXIT CABLE FROM 4.4mm TO 9mm. CONNECTOR WITH H.T.P LOGO		TIPO	M12
H.T.P. HIGH TECH PRODUCTS		H.T.P.		CODICE	B-12FC5000-SK