

DATE	REV.	DESCRIPTION	NAME
13/10/2014	01	On the connector housing must be changed the silk print and the ATEX logo. On the side of the plastic bag must be changed the silk print and the ATEX logo. See the drawing	LORENZO CIMMINO

PAY ATTENTION:

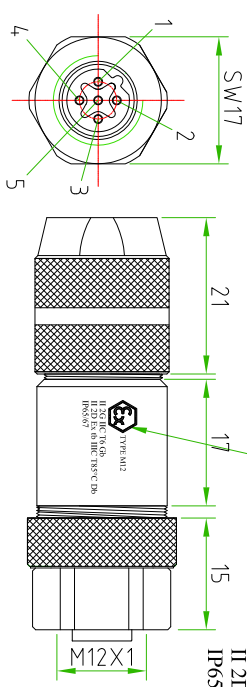
SILK SCREEN PRINT THE LOGO ATEX



TYPE M12

II 2G IIC T6 Gb
II 2D Ex tb IIC T85°C Db
IP65/67

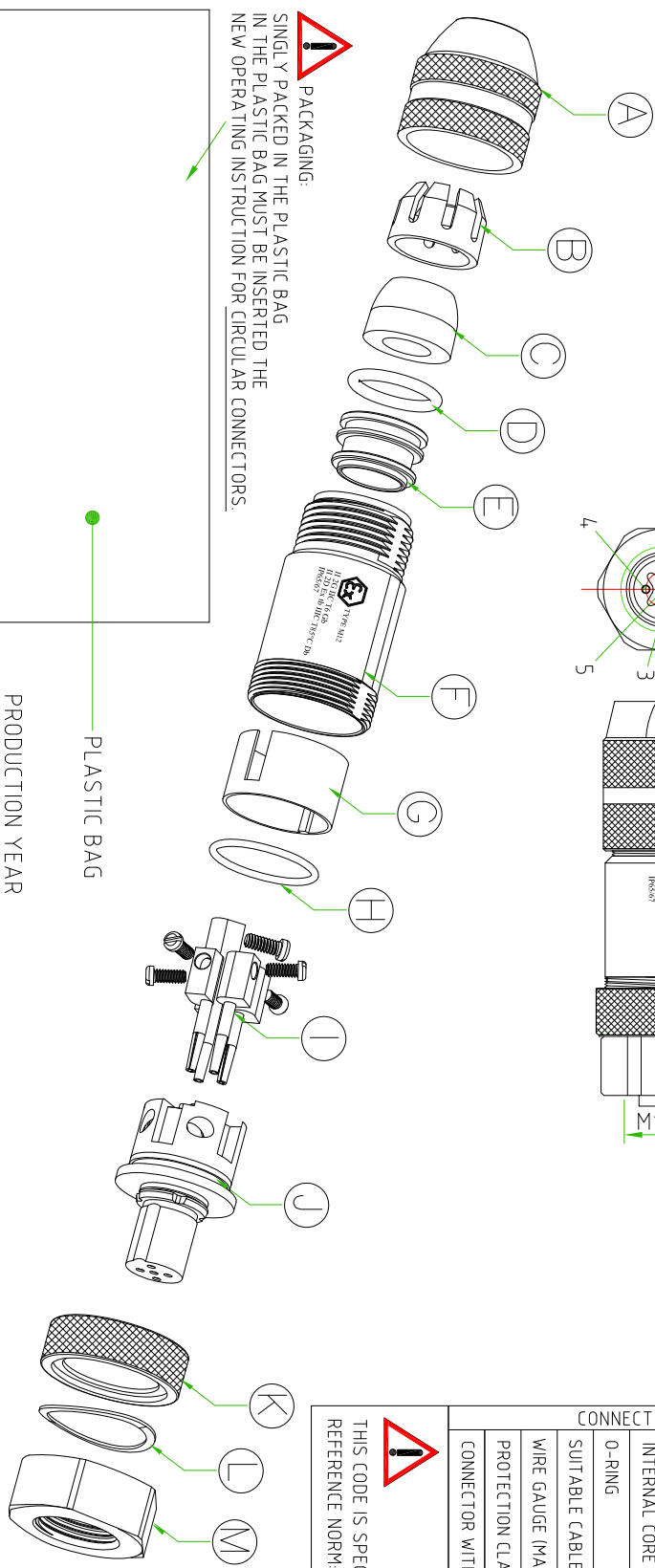
- 1
- 2
- 3
- 4
- 5



CONNECTOR FEATURES

PRODUCT TYPE	M12 B-CODED FIELD ATTACHABLE
CONTACT TYPE	FEMALE
NUMBER OF CONTACTS	5POLES
HOUSING TYPE	180°
RATED VOLTAGE	125V AC/DC
RATED CURRENT	4A
COUPLING NUT MATERIAL	Brass+nickel plated (CuZnNi)
HOUSING MATERIAL	Brass+nickel plated (CuZnNi)
INTERNAL CORE MATERIAL	PA66 - CM3004V0
O-RING	NBR
SUITABLE CABLE	FROM ø6mm TO ø 8mm
WIRE GAUGE (MAXI)	0,75mm ²
PROTECTION CLASS	IP65/IP67
CONNECTOR WITH H.T.P. LOGO	

! PACKAGING:
SINGLY PACKED IN THE PLASTIC BAG IN THE PLASTIC BAG MUST BE INSERTED THE NEW OPERATING INSTRUCTION FOR CIRCULAR CONNECTORS.



A	PRESS CABLE SREW
B	LAMELLEE PRESS-CABLE SEAL
C	GASKET PRESS-CABLE SEAL
D	O-RING
E	METAL HOLDER TO FIX THE SHIELD
F	HOUSING BRASS NICKEL PLATED
G	PLASTIC PROTECTION
H	O-RING
I	SCREW CONTACT GOLD PLATED
J	INTERNAL CORE M12 B-CODED
K	NUT FOR HOUSING BRASS NICKEL PLATED
L	METAL O-RING
M	M12 NUT BRASS NICKEL PLATED

PLASTIC BAG

PRODUCTION YEAR
EXAMPLE: 2013
2014
2015...

H.T.P. S.r.l.

I-24030 - BREMBATE DI SOPRA(BG)
CODE: B-12F15000-ATEX YEAR:20##
M12 METAL HOUSING
5#####

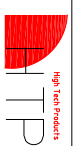


II 2G IIC T6 Gb
II 2D Ex tb IIC T85°C Db IP65/67
CEC 13 ATEX 139 X

H.T.P. PRODUCTION CODE

WHITE LABEL

TOLLERANZE	±0,2	DISIGNAZIONE	DATA	SCALA	DISIGNO
UDM	ANGOLO	LORENZO CIMMINO CONTROLLATO	23.05.14	1:1	1/2
DESCRIZIONE M12 FEMALE B-CODED STRAIGHT 180° SPOLES, FIELD ATTACHABLE METAL HOUSING. CONNECTOR MAIN REFERENCE NORM ATEX94/9/CE					
				TR90	MATERIALE
					M12
				CODE	
				B-12F15000-ATEX	



H.T.P. HIGH TECH PRODUCTS

H.T.P.

B-12F15000-ATEX

