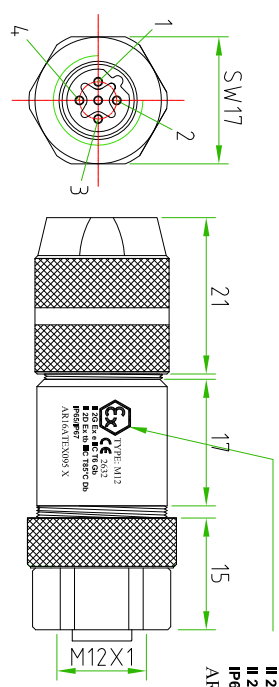


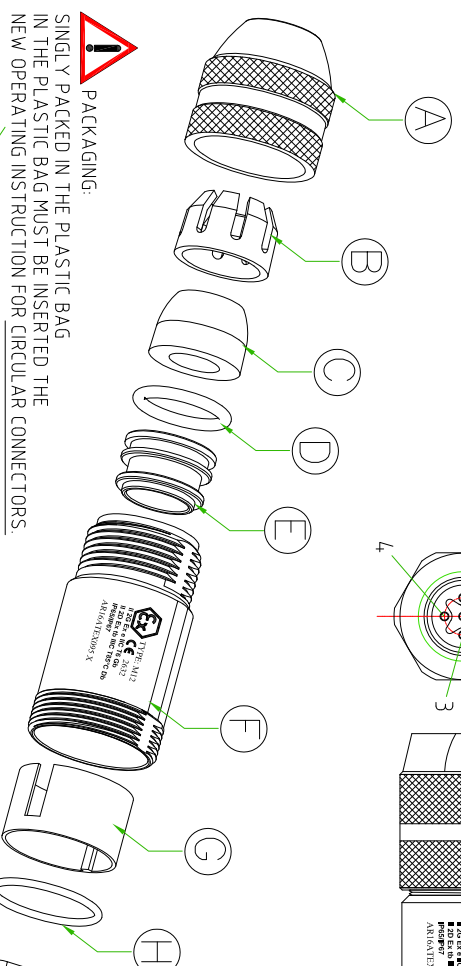
DATE	REV.	DESCRIPTION	NAME
07/08/2018	01	On the ATEX label and on the operating instructions must be added MADE IN CHINA.	ROBERTO SUGLIANI

- _____ C 1
- _____ C 2
- _____ C 3
- _____ C 4

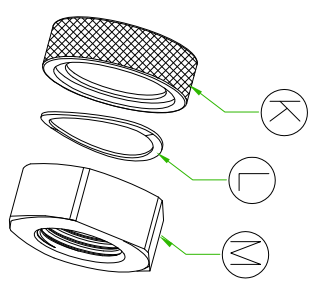
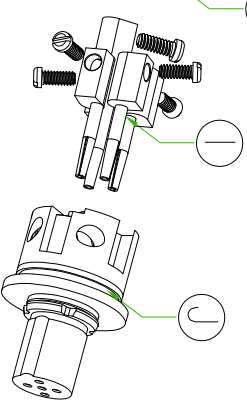


CE TYPE: M12
CE 2632
 II 2G Ex e IIC T6 Gb
 II 2D Ex tb IIC T85°C Db
 IP65/IP67
 ARI6ATEX095 X

PAY ATTENTION:
 SILK SCREEN PRINT THE LOGO ATEX



PACKAGING:
 SINGLY PACKED IN THE PLASTIC BAG
 IN THE PLASTIC BAG MUST BE INSERTED THE
 NEW OPERATING INSTRUCTION FOR CIRCULAR CONNECTORS.



A	PRESS CABLE SREW
B	LAMELLEE PRESS-CABLE SEAL
C	GASKET PRESS-CABLE SEAL
D	O-RING
E	METAL HOLDER TO FIX THE SHIELD
F	HOUSING BRASS NICKEL PLATED
G	PLASTIC PROTECTION
H	O-RING
I	SCREW CONTACT GOLD PLATED
J	INTERNAL CORE M12 B-CODED
K	NUT FOR HOUSING BRASS NICKEL PLATED
L	METAL O-RING
M	M12 NUT BRASS NICKEL PLATED

H.T.P. S.r.l.
 I-24030 - BREMBATE DI SOPRA(BG)
 CODE: B-12F14000-ATEX
 M12 METAL HOUSING
 5#####
 MADE IN CHINA



II 2G Ex e IIC T6 Gb
 II 2D Ex tb IIC T85°C Db
 ARI6ATEX095 X

PLASTIC BAG
 PRODUCTION YEAR
 EXAMPLE: 2013
 2014
 2015...
 REV.01
 H.T.P. PRODUCTION CODE
 WHITE LABEL

CONNECTOR FEATURES

PRODUCT TYPE	M12 B-CODED FIELD ATTACHABLE
CONTACT TYPE	FEMALE
NUMBER OF CONTACTS	4POLES
HOUSING TYPE	180°
RATED VOLTAGE	250V AC/DC
RATED CURRENT	4A
COUPLING NUT MATERIAL	Brass+nickel plated (CuZnNi)
HOUSING MATERIAL	Brass+nickel plated (CuZnNi)
INTERNAL CORE MATERIAL	PA66 - CM3004V0
O-RING	NBR
SUITABLE CABLE	FROM ø6mm TO ø 8mm
WIRE GAUGE (MAXI)	0,75mm ²
PROTECTION CLASS	IP65/IP67
CONNECTOR WITH H.T.P. LOGO	

THIS CODE IS SPECIAL BECAUSE IS THE ATEX CONNECTORS MAIN REFERENCE NORM:ATEX2014/34/EU MATERIAL PA66 - CM3004V0 (Material:V0 UL/CSA), FOR ALL COMPONENT OF THE CONNECTOR

TOLLERANZE	±0,2	DISIGNATORE	ROBERTO SUGLIANI	DATA	20.04.2017	SCALA	1:1	DISIGNO	1/2
UDM	ANGOLO	CONTROLLATO							
DESCRIZIONE		M12 FEMALE B-CODED STRAIGHT 180° 4POLES, FIELD ATTACHABLE METAL HOUSING, CONNECTOR MAIN REFERENCE NORM ATEX2014/34/EU		TR90	M12	MATERIALE			
H.T.P. HIGH TECH PRODUCTS		H.T.P.		CODE					
B-12F14000-ATEX									

