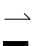

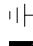
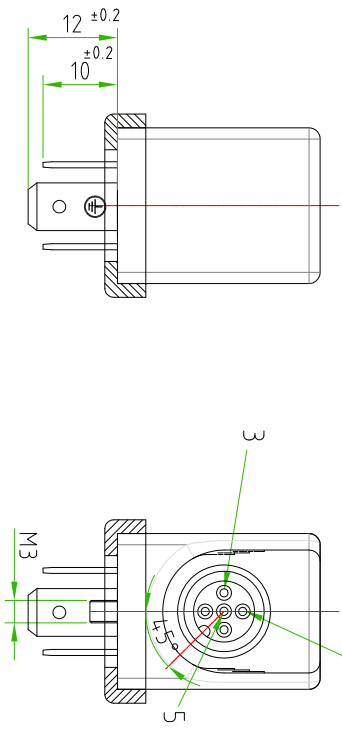
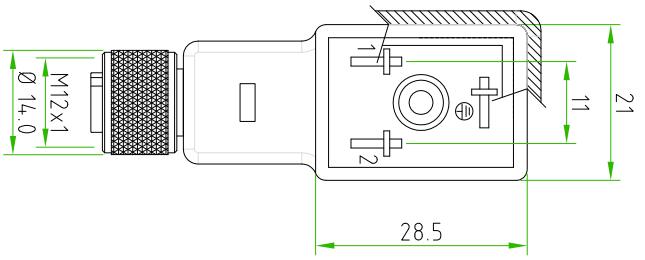
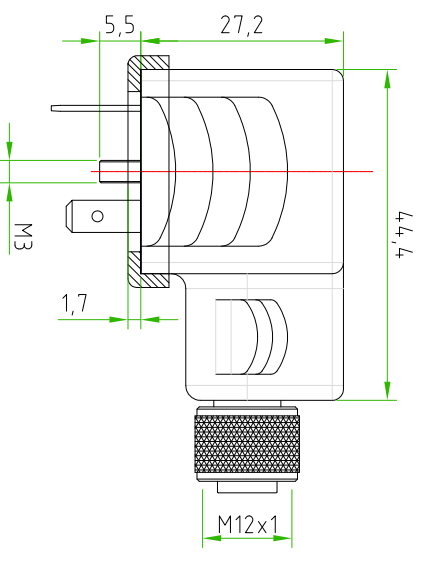


- 1  4
- 2  3
- (H.12)  5



CONNECTOR FEATURES	
M12	DIN43650/B
PRODUCT TYPE	DIN43650/A MALE+M12 SERIES
HOUSING COLOUR	BLACK
CONTACT TYPE	2POLES+EARTH
CONTACT SPACING	11mm
CONTACTS TYPE	MALE
PROTECTION CLASS	IP67
FIXING SCREW	M3X28.7
PROFILED GASKET	NBR
EARTH POSITIONING H	12
CONNECTOR WITHOUT ELECTRONIC	
TYPE CONTACT	FEMALE
NUMBER OF CONTACTS	N°3
NUMBER OF CONTACTS CONNECTED	N°3
CONNECTOR WITH H.T.P. LOGO	

TOLLERANZE	±0,3	DISIGNAZIONE	DATA	SCALA	PESO
UDM	ANGOLID	LORENZO CHINNO CONTROLLATO	11-12-13	1:1	
DESCRIZIONE		ADAPTER DIN43650/B 2P-EARTH+M12 CONTACT SPACING 11mm, WITHOUT ELECTRONIC, 2POLES+EARTH WITH MALE CONTACTS +M12 180° FEMALE SPOLES CONNECTOR WITH H.T.P. LOGO		TIPO	MATERIALE
				DIN MALE+M12	