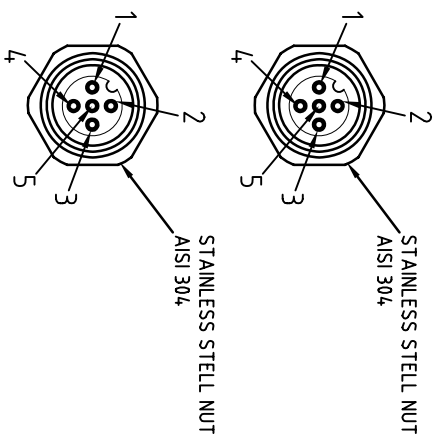
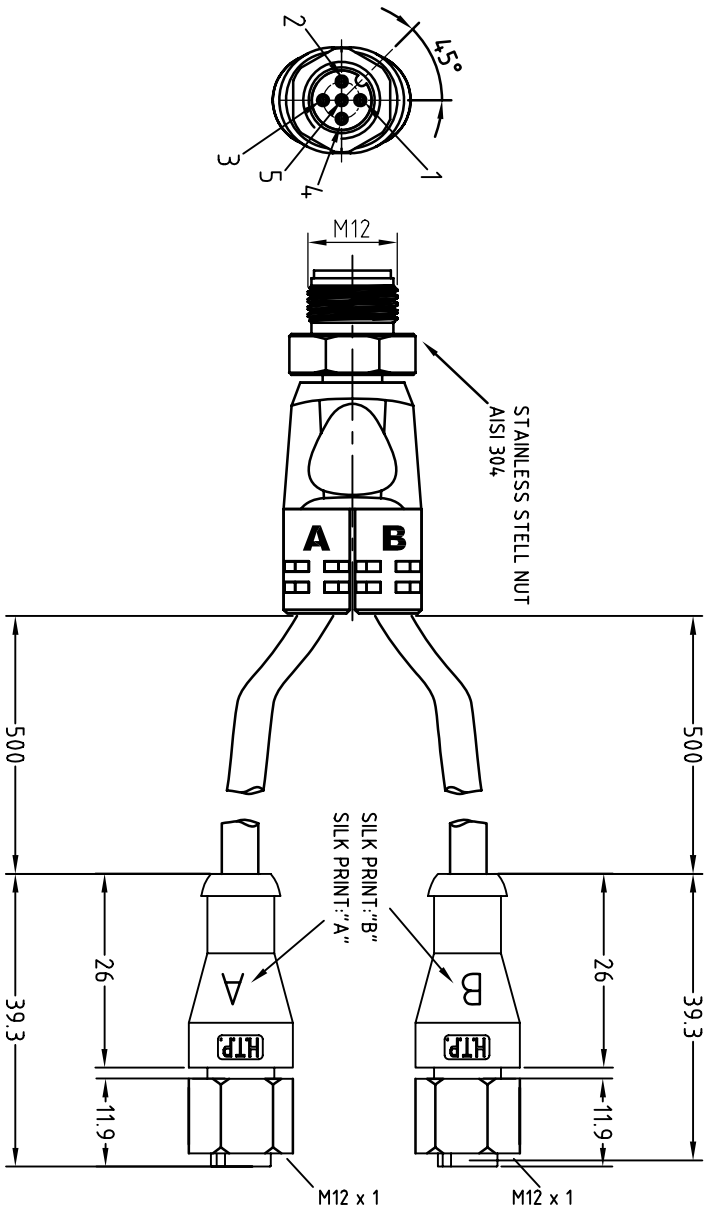
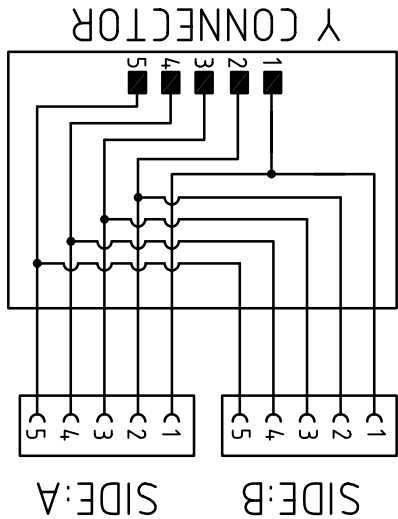


# ELECTRICAL SCHEME:



CABLE FEATURES		CONNECTOR FEATURES	
CONNECTOR TYPE	Y MALE	CONTACT TYPE (Y)	5POLES
CABLE LENGTH	500mm	PROTECTION CLASS	IP69K
NUMBER OF CONTACTS CONNECTED	N°5	M12 180° FEMALE (SIDE A)	5POLES
CONNECTOR WITH STAINLESS STEEL NUT		M12 180° FEMALE (SIDE B)	5POLES
H.T.P. CABLE CODE	L		
NUMBER OF CONDUCTORS	n°5		
CONDUCTOR SECTION	0.34mm <sup>2</sup>		
CABLE MATERIAL	PVC CEI/2022 II		
COATING COLOUR	GREY		
CONDUCTOR INSULATION MATERIAL	PVC		
CABLE WITHOUT THE HOLDER FOR CABLE MARKING			

TOLERANCE	DESIGNATION	DATA	SCALE	PROJ.
U4H	ANGOLO	23-04-09	1:1	
	CONTROLATO			
DESCRIZIONE				
M12 Y MALE 180° SP WITH STAINLESS STEEL NUT AISI 304 WITH N°2 CABLE PVC/PVC GREY 5X0.34MM <sup>2</sup> L=65M N°2 M12 FEMALE 180° SP WITH STAINLESS STEEL NUT PARALLEL CIRCUIT				
	TIPO			
	Y			
	CODE			
	ASL0E-C5-C5-INOX			



H.T.P.  
HIGH TECH PRODUCTS

ASL0E-C5-C5-INOX