

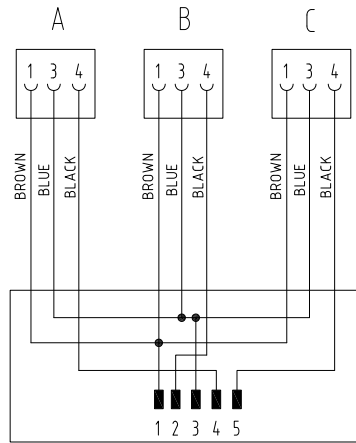


PACKAGING:
SINGLY PACKED IN A PLASTIC BAG.
IN EACH PLASTIC BAG MUST BE INSERTED THE
"INPUT CONNECTIONS SHEET"

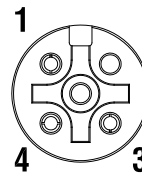
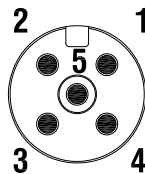
105



INPUT CONNECTIONS SHEET



M12 MALE 5POLES CONN.	EXIT A M12 FEMALE 3POLES	EXIT B M12 FEMALE 3POLES	EXIT C M12 FEMALE 3POLES
PIN N°1	PIN N°1	PIN N°1	PIN N°1
PIN N°2	-	PIN N°4	-
PIN N°3	PIN N°3	PIN N°3	PIN N°3
PIN N°4	PIN N°4	-	-
PIN N°5	-	-	PIN N°4



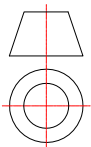
148

Rev.				
Modify				
Date				
Signed				
Approved				

Rev.				
Modify				
Date				
Signed				
Approved				

Rev.				
Modify				
Date				
Signed				
Approved				

A4



Designer	SUGLIANI R.	Date	2019-03-08	Tolerance	±0.3	Units:	mm	Series	M12 Y 2WAY	Drawing n. 2-2
Approved	CIMMINO L.	Date	2019-03-08	Scale	1:1	Size:	A4	Customer code:		



DESCRIPTION

Y CONNECTOR M12 MALE 5POLES WITH N°3 WAY; N°3 M12 CONNECTORS,FEMALE, STRAIGHT 180°3POLES, WITH CABLES PVC/PVC CEI2022,3X0,34mm²,BLACK L=0,3m; CONNECTORS WITH H.T.P.LOGO

H.T.P.PART NUMBER

A5B0C-C3-C3-C3-PLC