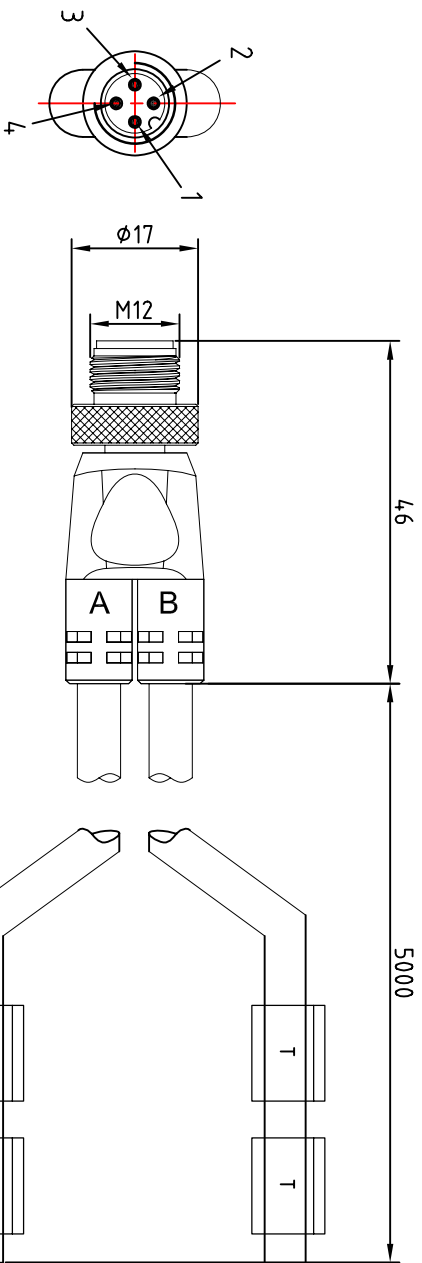
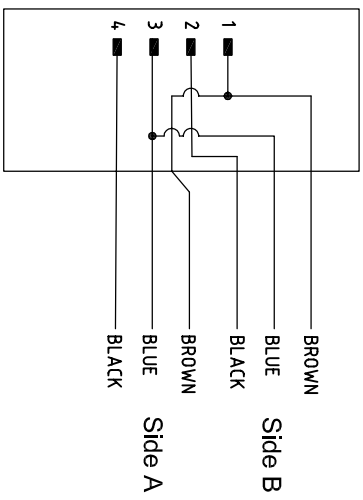


ELECTRICAL SCHEME



T=THE HOLDER FOR CABLE MARKING

CONNECTOR FEATURES		CABLE FEATURES	
Y M12 TYPE CONTACT	MALE 4POLES	NUMBER OF CONDUCTORS	n°3
N° 2 M12 CONNECTORS	-	CONDUCTOR SECTION	0,34mm ²
N°3 CABLE LENGTH	5000mm	CABLE MATERIAL	PVC CEI2022
CONNECTORS WITHOUT H.T.P.LOGGO		COATING COLOUR	BLACK
H.T.P.CABLE CODE	B	CONDUCTOR INSULATION MATERIAL	PVC

TOLLERANZE	DISEGNATORE	DATA	SCALA	DISEGNO N.
U4H	LORENZO CERINO CONTROLLATO	02.10.09	1:1	
DESCRIZIONE		TR0	MATERIALE	
YCONNECTOR M12 MALE 4POLES 2WAY WITH N°2 FREE CABLE PVC/PVC BLACK 3X0,34mm ² CEI2022 L=5M		Y 2WAY		
HTP HIGH TECH PRODUCTS		A4B5Z		