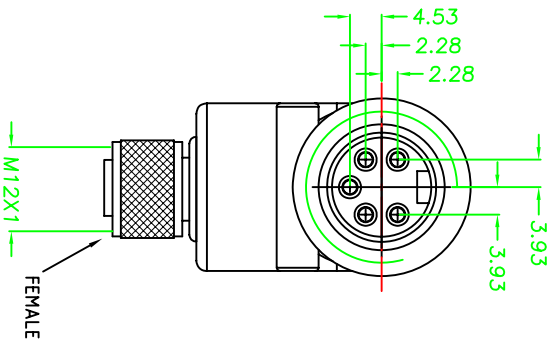
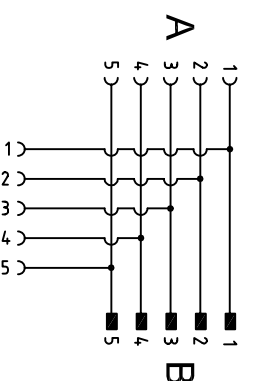
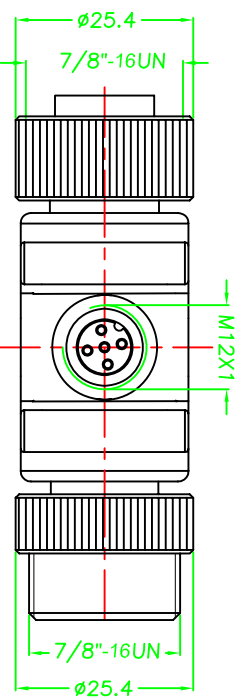
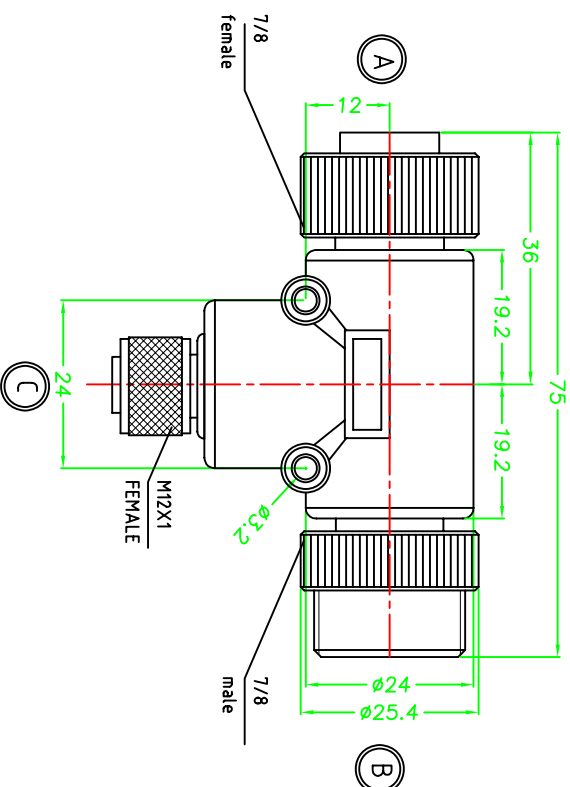
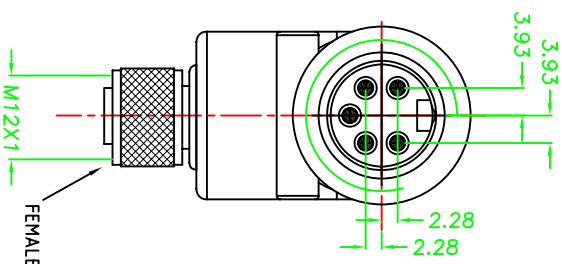


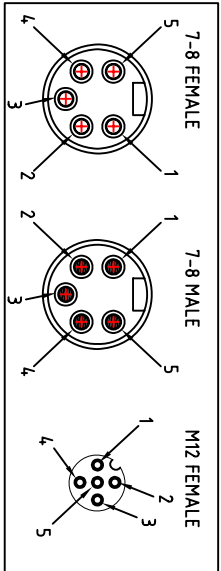
SIDE A



SIDE B



ELECTRICAL SCHEME



TOLERANCE	DESIGNATOR	DATA	SCALE	DESIGN N.
UMH	ANGULO	10.03.10	1:1	
DESCRIPCION	LIBRO O PIANO			DESCRIPCION
T WITH N°1 FEMALE 7/8" SPOLES, N°1 MALE 7/8" SPOLES AND N°1 M12 FEMALE SPOLES, BLACK, PARALLEL CIRCUIT.	CONTINUITO			TIPO
				7/8
				MATERIALE
H.T.P. HIGH TECH PRODUCTS				
78T76000				