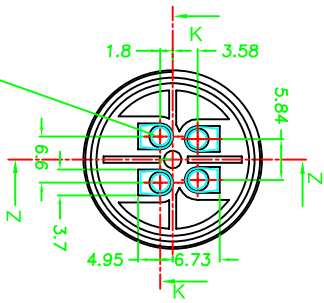
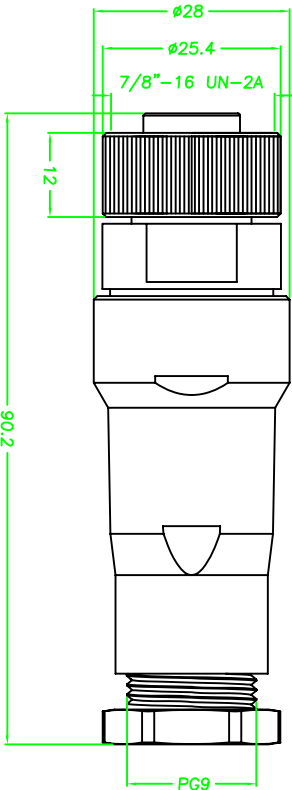
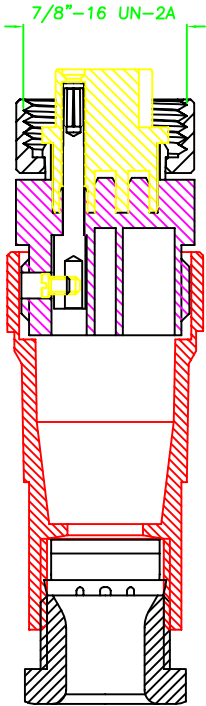
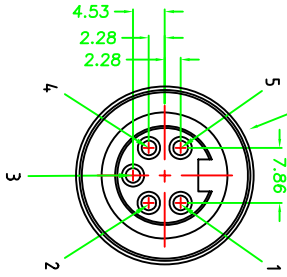


STAINLESS STEEL NUT  
(AISI304)

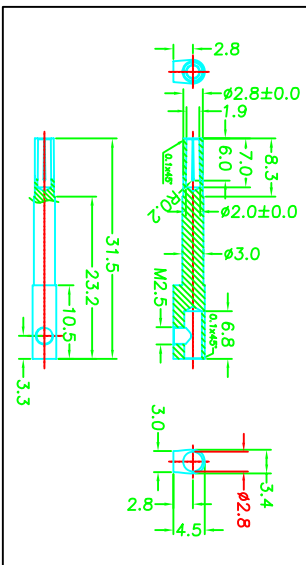


CONNECTOR FEATURES

PRODUCT TYPE:	7/8" TO CABLE
TYPE CONTACT:	FEMALE
NUMBER OF CONTACT:	5 POLES
HOUSING TYPE:	180°
HOUSING COLOUR:	BLACK
RATED VOLTAGE:	600V AC/DC
RATED CURRENT:	8A
CONTACT MATERIAL:	PHOSPHOROUS BRONZE
CONTACT SURFACE MATERIAL:	NICKEL +0.45µm
COUPLING NUT MATERIAL:	STAINLESS STEEL NUT (AISI304)
O-RING:	NBR
PROTECTION CLASS:	IP67
TEMPERATURE RANGE:	-40°C TO +80°C

CONNECTOR WITH SPECIAL PIN: PIN WITH THE HOLE 2.8mm OF THE DIAMETER (HOLE WHERE ENTRY THE CABLE)

SPECIAL PIN  $\phi 2.8$ :



TOLERANCE	DESCRIPTION	DATA	SCALE	DESCRIPTION
UMH	ANGLE	CONTROL	12:10:09	1:1
DESCRIPTION	7/8" MALE WITH SOLDERED CONTACTS, POLES WITH FLANGE	7/8"		
	STAINLESS STEEL (AISI304)/CONNECTOR			



H.T.P.  
HIGH TECH PRODUCTS

78FC5000-INOX