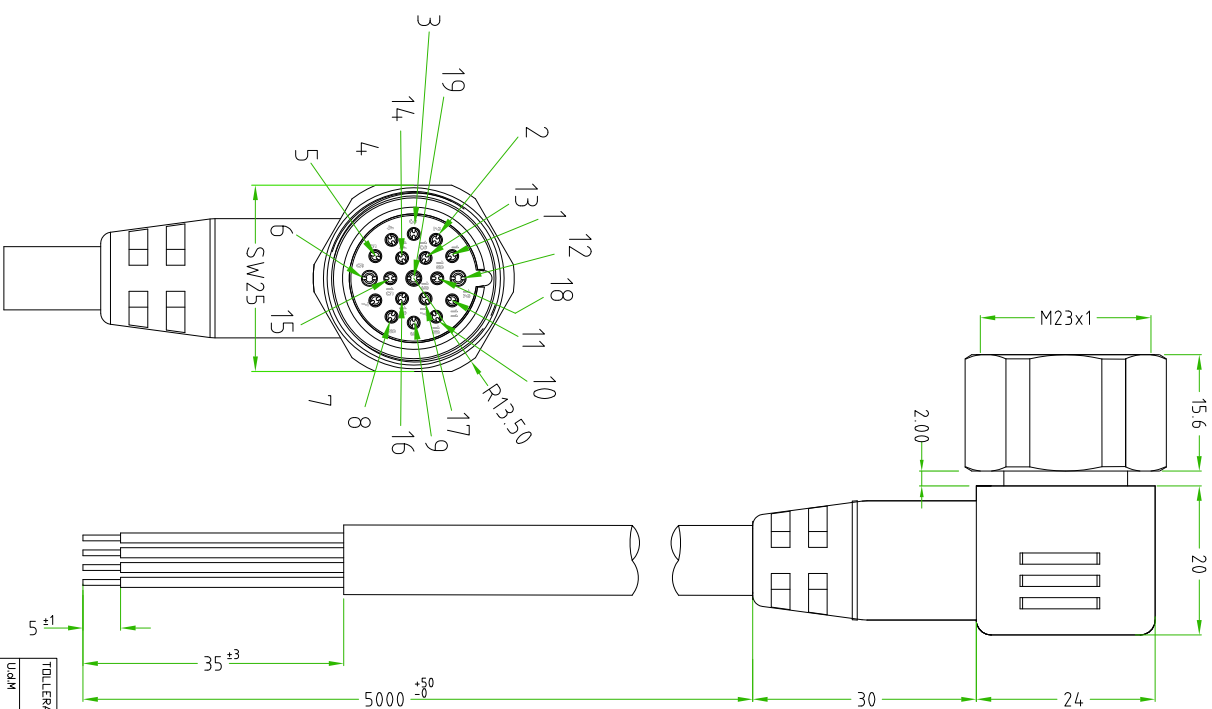


ELECTRICAL SCHEME:

- PURPLE ○ — C 1
- RED ○ — C 2
- GREY ○ — C 3
- RED/BLUE ○ — C 4
- GREEN ○ — C 5
- BLUE ○ — C 6
- GREY/PINK ○ — C 7
- WHITE/GREEN ○ — C 8
- WHITE/YELLOW ○ — C 9
- WHITE/GREY ○ — C 10
- BLACK ○ — C 11
- YELLOW/GREEN ○ — C 12
- YELLOW/BROWN ○ — C 13
- BROWN/GREEN ○ — C 14
- WHITE ○ — C 15
- YELLOW ○ — C 16
- PINK ○ — C 17
- GREY/BROWN ○ — C 18
- BROWN ○ — C 19



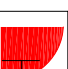
CABLE FEATURES		CONNECTOR FEATURES	
PRODUCT TYPE	M23 ANGLED 90°	CONTACT TYPE	FEMALE 19POLES
CABLE LENGTH	5000mm	PROTECTION CLASS	IP68
STRIPPING	35mm STANDARD	PEELING AND TINNING	5mm STANDARD
NUMBER OF CONTACTS CONNECTED	N°19	CONNECTOR WITHOUT H.T.P LOGO	
H.T.P. CABLE CODE	CAVO P-3+16-IS		
NUMBER OF CONDUCTORS	n°3+16		
CONDUCTOR SECTION	0.75mm ² (X3) + 0.34mm ² (X16)		
CABLE MATERIAL	PUR ULstyle 20549		
COATING COLOUR	BLACK		
CONDUCTOR INSULATION MATERIAL	PP		
CABLE PROVIDED BY H.T.P.			



THE CABLE IS HIGH FLEX " -K6" (CLASS 6).

TOLLERANZE	±0.3	DISSEGNAZIONE	DATA	SCALA	DISSEGNO N.
UDIM	ANGOLO	LORENZO CIMINO	26.03.15	1:1	
		CONTROLLATO			

DESCRIZIONE	TPD	MATERIALE
M23 CONNECTOR FEMALE 90° 19POLES WITH CABLE PUR/PP, ULstyle 20549, 16X0.34mm ² + 3X0.75mm ² HIGH FLEX, HALOGEN FREE BLACK L=5m	M23	


H.T.P.
 HIGH TECH PRODUCTS

23FA19P5Z-K6-IS
 CODICE