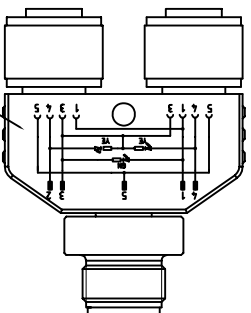
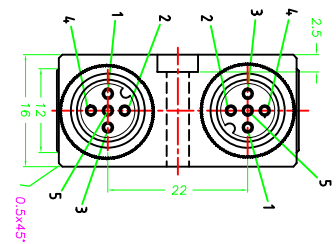
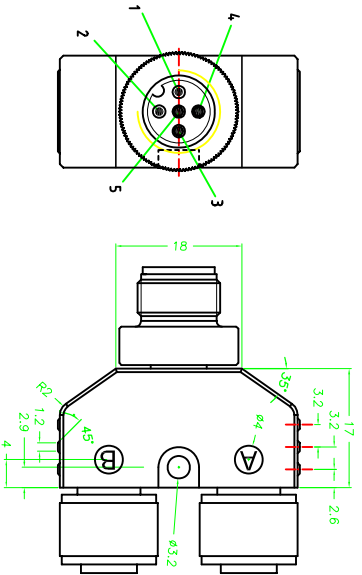
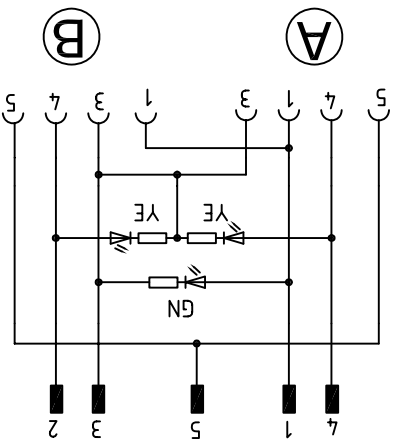


ELECTRICAL SCHEME:



PLEASE SILK PRINT THE ELECTRICAL SCHEME

CONNECTOR FEATURES	
PRODUCT TYPE	M12 T CONNECTOR
TYPE CONTACT	N°1 MALE + N°2 FEMALE
M12 MALE	SPOLES
M12 FEMALE	SPOLES
CIRCUIT TYPE	3 LED PNP
LED COLOUR	YELLOW/YELLOW/GREEN
HOUSING COLOUR	TRANSPARENT
T CONNECTOR WITH H.T.P LOGO	

TOLERANCE	DESCRIPTION	DATA	SCALE	DESCRIPTION N.
UMH	ANGOLO	CONTRASTO	24.07.09	1:1
DESCRIZIONE		M12 T CONNECTOR, TRANSPARENT HOUSING WITH N°3 LED PNP CIRCUIT, WITH N°1 MALE SPOLES AND N°2 FEMALE SPOLES		MATERIALE
M12 T		H.T.P.		
HIGH TECH PRODUCTS		12T45000		